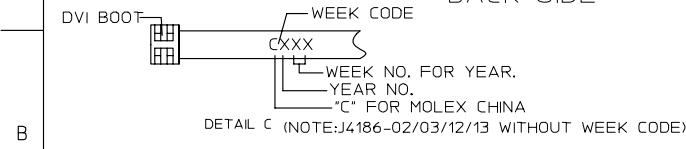
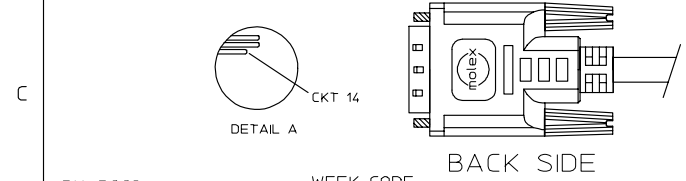
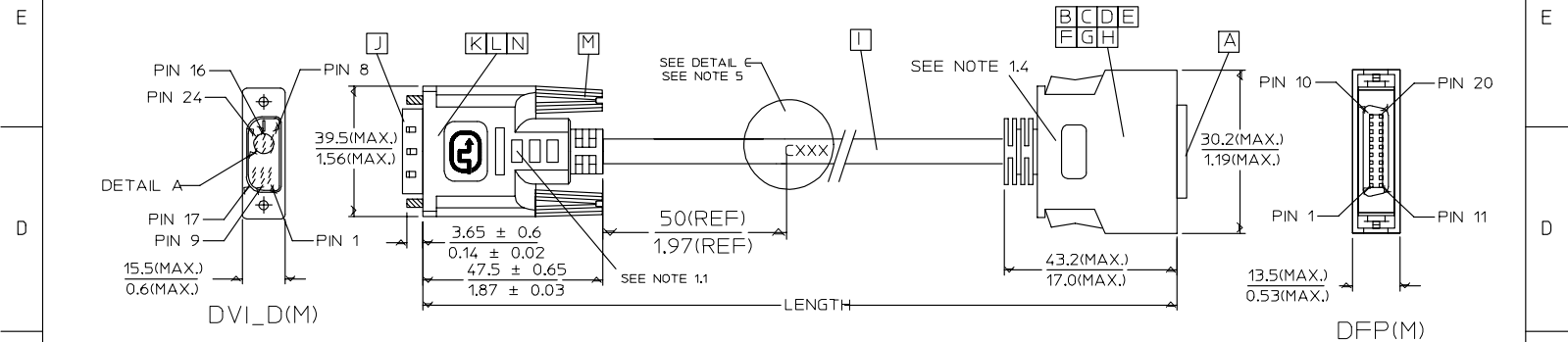


7 6 5 4 3 2 1



68802-0019	DVI Cable - DVI_D(M) to DFP(M) L=10ft Black	30.6 ± 0.8 120 ± 3.1	887808276
MX P/N	DESCRIPTION	LENGTH	CABLE P/N

EC NO: DG2006-0096 2005/10/19 DRWN:PDAI CHYD: APPR:KAN 2005/10/20	DESCRIPTION REV	QUALITY SYMBOLS ▽=0 ▽=0	GENERAL TOLERANCES (UNLESS SPECIFIED)		DIMENSION STYLE MM/IN	SCALE ---	DESIGN UNITS METRIC	THIRD ANGLE PROJECTION		
		4 PLACES ±--- ±--- 3 PLACES ±--- ±--- 2 PLACES ±--- ±--- 1 PLACE ±--- ±---	mm INCH	DRAWN BY PDAI	DATE 2005/10/19	TITLE DVI-D(M) TO DFP(M) L=10FT BLACK				
		ANGULAR ±---°	DRAFT WHERE APPLICABLE MUST REMAIN WITHIN DIMENSIONS	CHECKED BY PDAI	DATE 2005/10/19	MOLEX INCORPORATED				
		MATERIAL NO. 68802-0019	DOCUMENT NO. SD-68802-019	SHEET NO. 1 OF 2						

ib_frame_A4_P_ME_T Rev. D 2004/04/02

7 6 5 4 3 2 1

NOTE:1. OVERMOLD SPECIFICATION:

- 1.1 DVI BOOT MOLDED WITH SNOW WHITE PVC RESIN P/N IS 887800076.
- 1.2 UL94V-0. COLOR: MAD432
- 1.3 HARDNESS (DUROMETER): SHORE A 90-95
- 1.4 DFP BOOT MOLDED WITH UL94V-0 ABS.

2. MECHANICAL SPECIFICATION:

- 2.1 CABLE SHOULD STAND THE PULL FORCE 89-111N FOR 30 SECONDS WITH NO VISIBLE TERMINATION DAMAGE.

2.2 CABLE SHOULD PASS THE FLEX TEST IN 100 CYCLES AT EACH OF PLANES, PER EIA 364-41, CONDITION 1.

3. DVI CONNECTOR SPECIFICATION:

- 3.1 REFER TO PRODUCT SPEC. PS74320-001.
- 3.2 CONTACT PLATING: AU FLASH.
- 4. THE CODE PLEASE BE PRINTED ON THE SPACE.
- 5. SHORTCIRCUIT AMONG DRAIN WIRES IS ACCEPTABLE.
- 6. THIS PRODUCT MUST MEET MX RoHS COMPLIANCE.

PINOUTS:

SHIELD	SHIELD	BRAID	GROUND
PIN 24	PIN 6	WHITE	TMDS CLOCK-
PIN 23	PIN 5	BROWN	TMDS CLOCK+
PIN 22	PIN 4	BRAID	TMDS CLOCK SHIELD
PIN 19	PIN 14	BRAID	TMDS DATA 0 SHIELD
PIN 18	PIN 15	BLUE	TMDS DATA 0+
PIN 17	PIN 16	WHITE	TMDS DATA 0-
PIN 16	PIN 18	WHITE	HOT PLUG DETECT
PIN 15	PIN 7	ORANGE	GROUND(+5V & HV SYNC.)
PIN 14	PIN 8	YELLOW	POWER +5V
PIN 11	PIN 3	BRAID	TMDS DATA 1 SHIELD
PIN 10	PIN 1	GREEN	TMDS DATA 1+
PIN 9	PIN 2	WHITE	TMDS DATA 1-
PIN 7	PIN 19	RED	DDC DATA
PIN 6	PIN 20	VOILET	DDC CLOCK
PIN 3	PIN 13	BRAID	TMDS DATA 2 SHIELD
PIN 2	PIN 11	RED	TMDS DATA 2+
PIN 1	PIN 12	WHITE	TMDS DATA 2-
DVI_D	DFP	COLOR	CABLE FUNCTION

MATERIAL LIST:

ITEM	DESCRIPTION	L	QTY.
N	UL-TAPE 887804785	55(Ref.)	1
M	DVI THUMB SCREW 887806077		2
L	PCB 887899569/887899570		2
K	DVI METAL CAN 887899392		1
J	DVI_D SINGLE CHANNEL G/F CONNECTOR 743230101		1
I	DVI DIGITAL SINGLE LINK CABLE 887808276	3048(Ref.)	1
H	BEIGE LATCH 887809070		2
G	COPPER FOIL 887801082		1
F	LOW INNER MET HOOD 887809072		1
E	TOP INNER MET HOOD 887809071		1
D	WIRE COVER 887911256		1
C	WIRE HOLDER 887911257		2
B	ABS HOOD 887911255		1
A	MDR 20 CONNECTOR(ACON) 887899280		1

EC NO: DG2006-0096 DRWN:PDAI CHKD: APPR:KAN 2005/10/19 2005/10/19 2005/10/20 DESCRIPTION REV	QUALITY SYMBOLS	GENERAL TOLERANCES (UNLESS SPECIFIED) <table border="1"> <thead> <tr> <th></th> <th>mm</th> <th>INCH</th> </tr> </thead> <tbody> <tr> <td>4 PLACES</td> <td>±---</td> <td>±---</td> </tr> <tr> <td>3 PLACES</td> <td>±---</td> <td>±---</td> </tr> <tr> <td>2 PLACES</td> <td>±---</td> <td>±---</td> </tr> <tr> <td>1 PLACE</td> <td>±---</td> <td>±---</td> </tr> <tr> <td colspan="3">ANGULAR ±---°</td> </tr> </tbody> </table> DRAFT WHERE APPLICABLE MUST REMAIN WITHIN DIMENSIONS		mm	INCH	4 PLACES	±---	±---	3 PLACES	±---	±---	2 PLACES	±---	±---	1 PLACE	±---	±---	ANGULAR ±---°			DIMENSION STYLE MM/IN DRAWN BY PDAI DATE 2005/10/19 CHECKED BY PDAI DATE 2005/10/19 APPROVED BY ZXDENG DATE 2005/10/19	SCALE --- DESIGN UNITS METRIC THIRD ANGLE PROJECTION	TITLE DVI-D(M) TO DFP(M) L=10FT BLACK MOLEX INCORPORATED MATERIAL NO. 68802-0019 DOCUMENT NO. SD-68802-019 SHEET NO. 2 OF 2
			mm	INCH																			
	4 PLACES		±---	±---																			
	3 PLACES		±---	±---																			
2 PLACES	±---	±---																					
1 PLACE	±---	±---																					
ANGULAR ±---°																							
▽=0 ▽=0	SIZE A4 THIS DRAWING CONTAINS INFORMATION THAT IS PROPRIETARY TO MOLEX INCORPORATED AND SHOULD NOT BE USED WITHOUT WRITTEN PERMISSION																						

ib_frame_A4_P_ME_T
Rev. D 2004/04/02

6 5 4 3 2 1