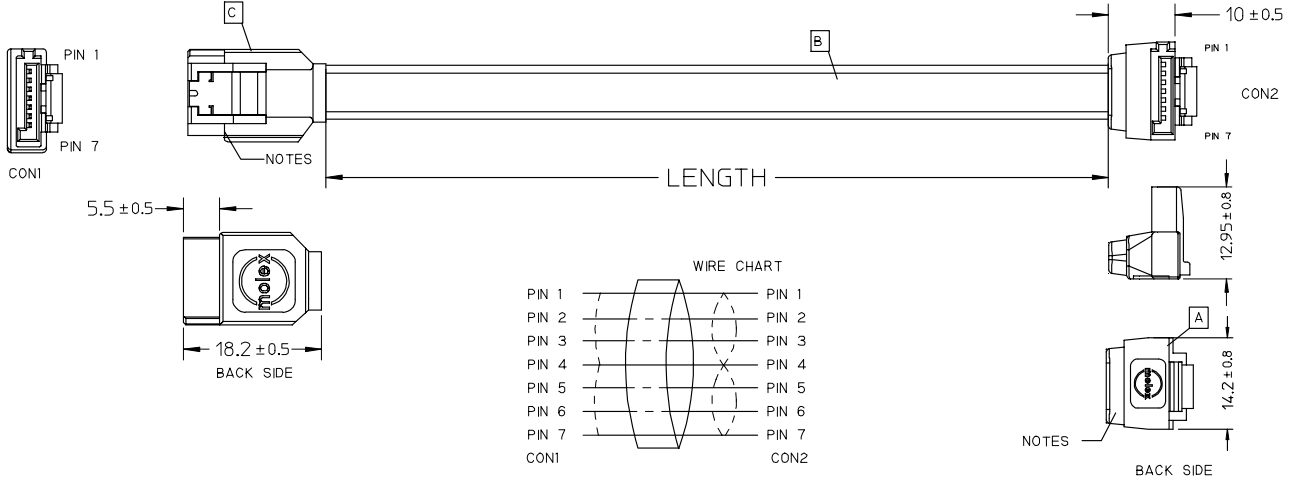


7 6 5 4 3 2 1



NOTE:
 OUTER MOLD WITH BLACK PVC RESIN 887800042.
 INNER MOLD WITH PE RESIN 887800008.
 THIS PRODUCT MUST MEET MX ROHS COMPLIANCE.

MOLEX P/N	LENGTH (mm)	LENGTH (FT)	DESCRIPTION
68809-0010	1006+/-20	3.3FT	S-ATA LATCHING STRAIGHT TO R/A CABLE, RED
68809-0009	488+/-10	1.6FT	S-ATA LATCHING STRAIGHT TO R/A CABLE, RED

ITEM	DESCRIPTION	QTY.
C	S-ATA STRAIGHT CONN. 674899002	1
B	2PX26AWG S-ATA CABLE RED 887808052	1
A	S-ATA R/A CONN. 674890002	1

ENTER DESCRIPTION EC NO: DG2006-0074 DRWN: CHYK00LUO 2005/10/19 APPR: DDLUO 2005/10/20 DESCRIPTION 1	QUALITY SYMBOLS ▽=0 ▽=0	GENERAL TOLERANCES (UNLESS SPECIFIED)		DIMENSION STYLE MM ONLY		SCALE ---		DESIGN UNITS METRIC		THIRD ANGLE PROJECTION	
		4 PLACES ±--- ±---		DRAWN BY JLIU13		DATE 2005/10/07		TITLE SATA SIGNAL CBL 7 PIN STR TO R/A 3.3FT W/LATCH			
		3 PLACES ±--- ±---		CHECKED BY DDLUO		DATE 2005/10/07					
		2 PLACES ±--- ±---		APPROVED BY BORON		DATE 2005/10/07		MATERIAL NO. 688090010		DOCUMENT NO. SD-68809-010	
1 PLACE ±--- ±---		ANGULAR ±---°		DRAFT WHERE APPLICABLE MUST REMAIN WITHIN DIMENSIONS		THIS DRAWING CONTAINS INFORMATION THAT IS PROPRIETARY TO MOLEX INCORPORATED AND SHOULD NOT BE USED WITHOUT WRITTEN PERMISSION					

ib_frame_A4_P_ME_T
 Rev. D 2004/04/02

6 5 4 3 2 1