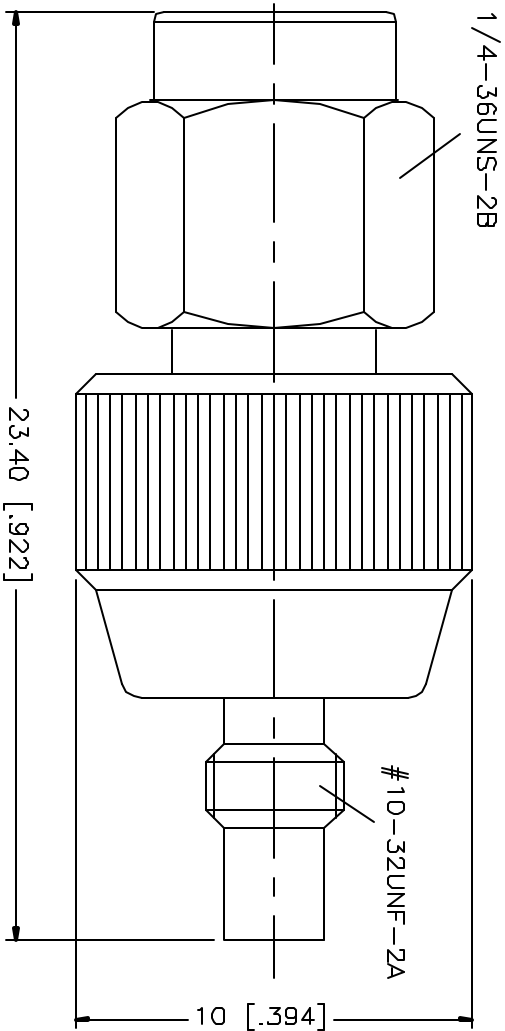


REV.	DATE	DESCRIPTION
A	12/16/01	MODIFY PART DESCRIPTION



DESCRIPTION	MATERIAL	FINISH	UNLESS OTHERWISE SPECIFIED DIMENSIONS ARE IN MILLIMETERS DIMENSIONS IN [] ARE IN INCHES FOR CUSTOMER REFERENCE ONLY	APPROVALS	DATE	TITLE								
1 BODY	BRASS	NICKEL		DRAWN	12/16/01	<p style="text-align: center;">comnex Connector Corporation</p> <p style="text-align: center;">SMA PLUG TO SMC JACK ADAPTOR</p>								
2 INSULATOR	TEFLON	NATURAL		CHECKED										
3 CONTACT PIN	BER. COPPER	GOLD		ISSUED										
4			UNLESS OTHERWISE SPECIFIED TOLERANCES FOR MILLIMETERS ARE											
5			0.5-6 = ± 0.2											
6			8-30 = ± 0.4											
7			30-120 = ± 0.6											
8			120-315 = ± 1 315-1000 = ± 1.6 1000-2000 = ± 2.4											
DO NOT SCALE DRAWING						<table border="1"> <tr> <td>SIZE</td> <td>FORM NO</td> <td>DWG NO.</td> <td>REV</td> </tr> <tr> <td>A</td> <td>99001</td> <td>242174.DWG</td> <td>A</td> </tr> </table>	SIZE	FORM NO	DWG NO.	REV	A	99001	242174.DWG	A
SIZE	FORM NO	DWG NO.	REV											
A	99001	242174.DWG	A											