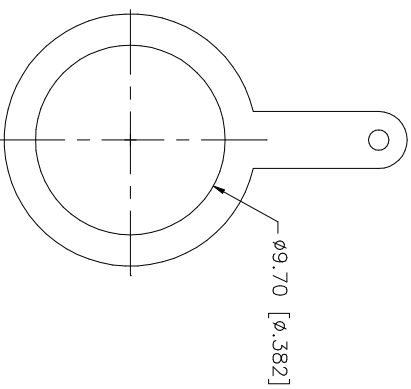
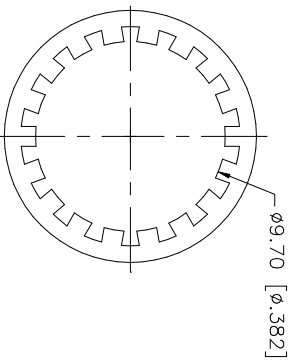
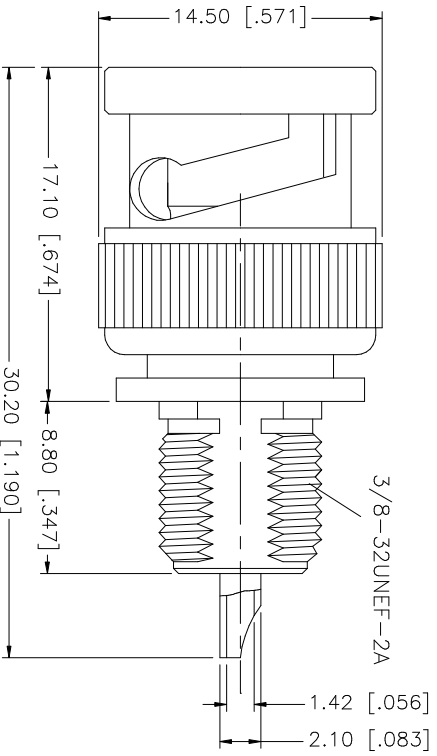
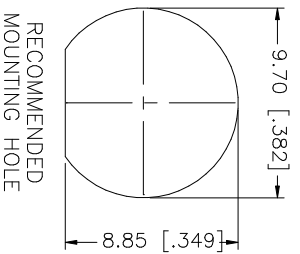


REV.	DATE	DESCRIPTION
NC	03/10/01	INITIAL RELEASE
A	11/16/05	UPDATE DRAWING FORMAT



12.7 HEX

QTY	FINISH	MATERIAL	DESCRIPTION
1	NICKEL	BRASS	INSULATOR
1	NICKEL	TEFLON	CONTACT PIN
1	NICKEL	BRASS	LOCK WASHER
1	NICKEL	BRASS	HEX NUT
1	NICKEL	BRASS	SOLDER TAG

APPROVALS	DATE
G.R.S.	11/16/05

DO NOT SCALE DRAWING	CAD FILE	DWG. NO.	REV.	SIZE	SCALE
DO NOT SCALE DRAWING	C:/112/112420.DWG	112420.DWG	A	A	NA

UNLESS OTHERWISE SPECIFIED, DIMENSIONS ARE IN MILLIMETERS. DIMENSIONS IN [ ] ARE IN INCHES AND FOR CUSTOMER REFERENCE ONLY. TOLERANCES FOR MILLIMETERS ARE:
0.5 - 8mm ± 0.20mm
8 - 30mm ± 0.40mm
30 - 120mm ± 0.50mm
UNLESS OTHERWISE SPECIFIED, TOLERANCES FOR INCHES ARE:
.020 - .315 = ± 0.007"
.315 - 1.180 = ± 0.015"
1.180 - 4.724 = ± 0.020"

PART DESCRIPTION	PART NO.
<b>Amphenol Connex</b> BNC BULKHEAD RECEPTACLE PLUG	112420