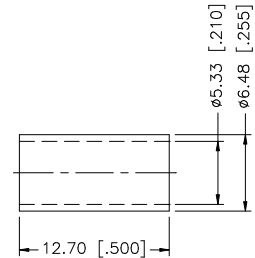
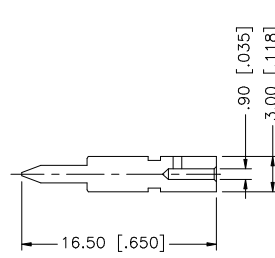
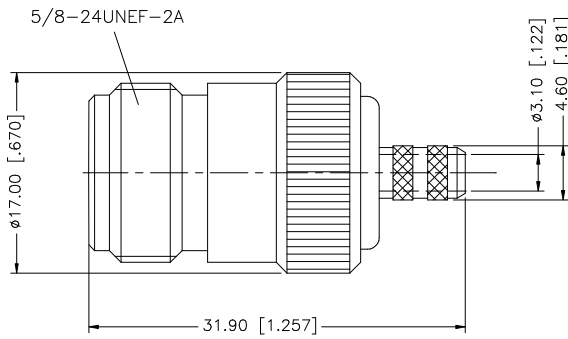
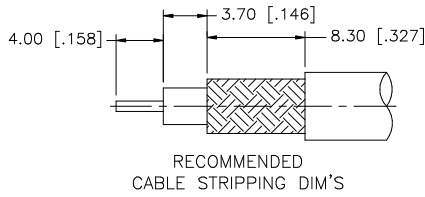


REV.	DATE	DESCRIPTION
NC	06/08/98	INITIAL RELEASE
A	06/25/06	UPDATE DRAWING FORMAT, REVISE PLATING TO NEXCOTE
B	12/19/06	REVISE NOTE 2.



NOTE:

1. CRIMPED FERRULE HEX. CRIMP SIZE .213"
2. CRIMPED CONTACT PIN HEX. CRIMP SIZE .100"

REV.	DATE	DESCRIPTION
8		
7		
6		
5		
4		
3		
2		
1		

UNLESS OTHERWISE SPECIFIED DIMENSIONS ARE IN MILLIMETERS; DIMENSIONS IN [ ] ARE IN INCHES AND FOR CUSTOMER REFERENCE ONLY.				APPROVALS	DATE	<h1 style="color: blue;">Amphenol Connex</h1>			
UNLESS OTHERWISE SPECIFIED TOLERANCES FOR MILLIMETERS ARE: 0.5 - 8mm ± 0.20mm 8 - 30mm ± 0.40mm 30 - 120mm ± 0.50mm				DRAWN G.R.S.	12/19/06		PART DESCRIPTION		
UNLESS OTHERWISE SPECIFIED TOLERANCES FOR INCHES ARE: .020 - .315 = ± 0.007" .315 - 1.180 = ± 0.015" 1.180 - 4.724 = ± 0.020"				CHECKED				N REVERSE POLARITY CRIMP JACK (FOR RG-58/U CABLE)	
DO NOT SCALE DRAWING				ISSUED			PART NO.		
				SHEET 1 OF 1					172103RP
				CAD FILE	C:/172/172103RP.DWG		DWG. NO. 172103RP.DWG	REV. B	SIZE A