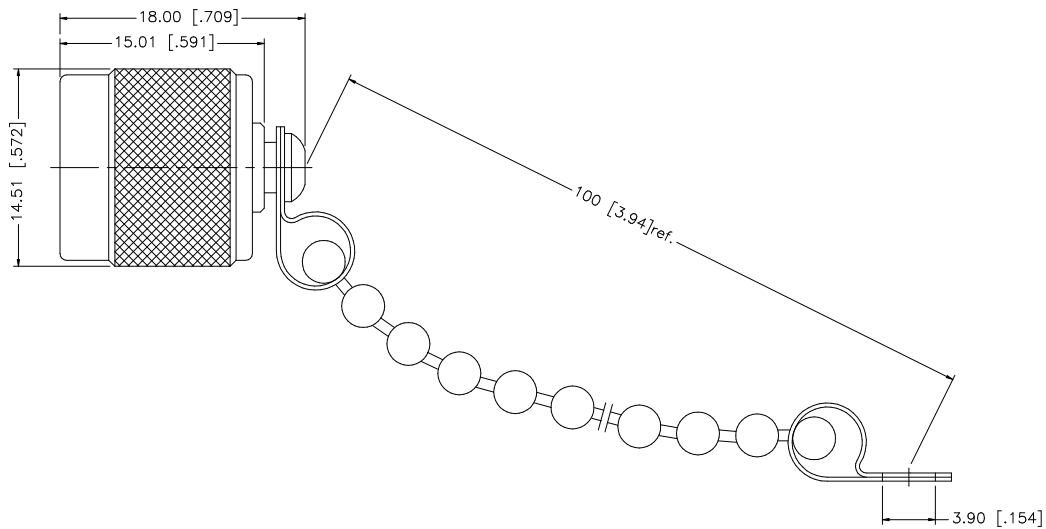


REV.	DATE	DESCRIPTION
NC	02/05/07	INITIAL RELEASE



8				UNLESS OTHERWISE SPECIFIED DIMENSIONS ARE IN MILLIMETERS. DIMENSIONS IN [] ARE IN INCHES AND FOR CUSTOMER REFERENCE ONLY.	APPROVALS	DATE	Amphenol Connex						
7				UNLESS OTHERWISE SPECIFIED TOLERANCES FOR MILLIMETERS ARE:	DRAWN	G.R.S.	02/05/07	PART DESCRIPTION TNC MALE CAP W/CHAIN					
6				0.5 - 8mm ± 0.20mm	CHECKED								
5				8 - 30mm ± 0.40mm	ISSUED								
4	RIVET	BRASS	NICKEL	1	SHEET	1 OF 1							
3	CHAIN	BRASS	NICKEL	1				PART NO. 202101					
2	GASKET	SILICONE	RED	1				DWG. NO. 202101.DWG					
1	SHELL/BODY	BRASS	NICKEL	1				REV.	NC	SIZE	A	SCALE	NA
	DESCRIPTION	MATERIAL	FINISH	QTY	DO NOT SCALE DRAWING								