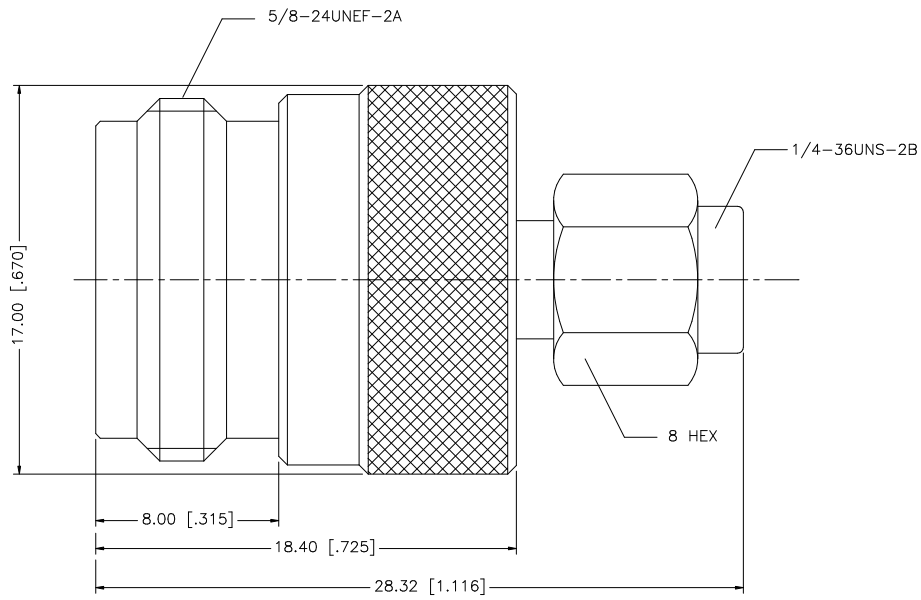


REV.	DATE	DESCRIPTION
NC	01/08/97	INITIAL RELEASE
A	06/10/07	UPDATE DRAWING FORMAT



REV.	DESCRIPTION	MATERIAL	FINISH	QTY	APPROVALS	DATE	Amphenol Connex							
8					DRAWN	G.R.S.	06/10/07	<b>SMA MALE TO N FEMALE ADAPTER</b> - <b>242112</b>						
7				CHECKED										
6				ISSUED										
5				SHEET	1 OF 1									
4							PART NO.	242112						
3	CONTACT PIN	PHOS. BRONZE	GOLD	1			DWG. NO.	242112.DWG	REV.	A	SIZE	A	SCALE	NA
2	INSULATOR	TEFLON	NATURAL	1										
1	BODY	BRASS	NICKEL	1										
	DESCRIPTION	MATERIAL	FINISH	QTY	CAD FILE		C:/242/242112.DWG							

UNLESS OTHERWISE SPECIFIED DIMENSIONS ARE IN MILLIMETERS. DIMENSIONS IN ( ) ARE IN INCHES AND FOR CUSTOMER REFERENCE ONLY.

UNLESS OTHERWISE SPECIFIED TOLERANCES FOR MILLIMETERS ARE:  
 0.5 - 8mm ± 0.20mm  
 8 - 30mm ± 0.40mm  
 30 - 120mm ± 0.50mm

UNLESS OTHERWISE SPECIFIED TOLERANCES FOR INCHES ARE:  
 .020 - .315 = ± 0.007"  
 .315 - 1.180 = ± 0.015"  
 1.180 - 4.724 = ± 0.020"

DO NOT SCALE DRAWING