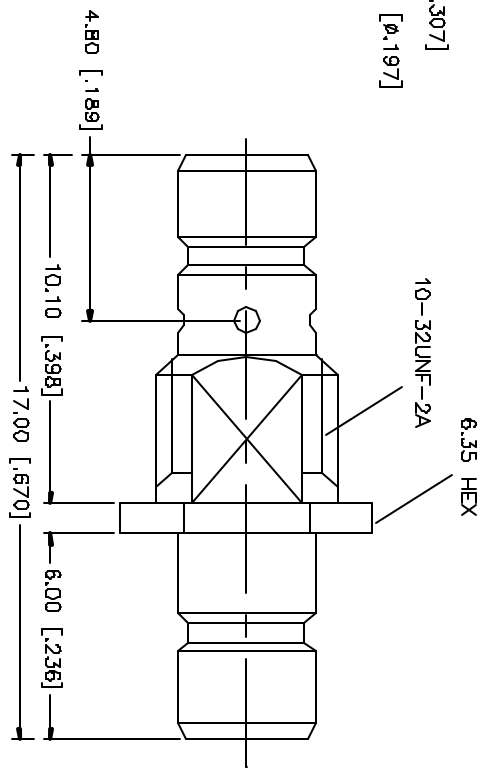
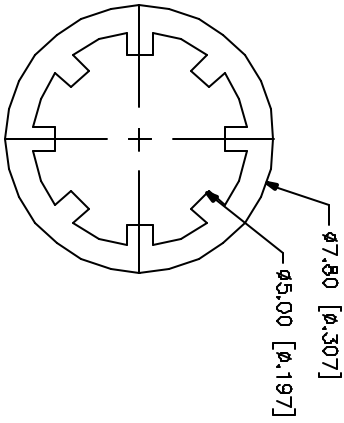
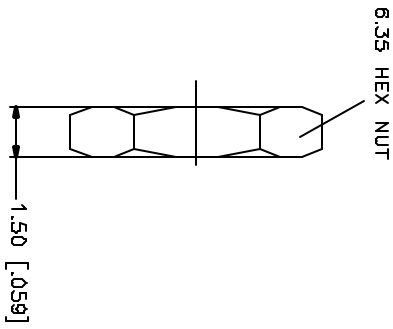
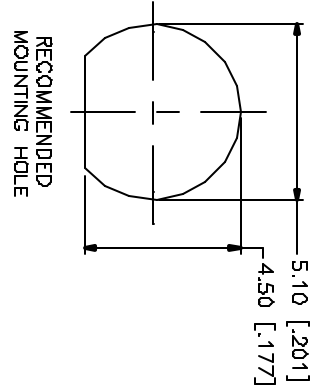


REV.	DATE	DESCRIPTION
A	03/27/05	UPDATE DRAWING FORMAT



REV.	DATE	DESCRIPTION
8		
7		
6		
5		
4		
3		
2		
1		

DESCRIPTION	MATERIAL	FINISH	QTY
CONTACT PIN	BRASS	GOLD	1
INSULATOR	TEFLON	NATURAL	1
BODY	BRASS	GOLD	1

DATE: 03/27/05
DRAWN: G.R.S.
CHECKED: []
ISSUED: []
SHEET: 1 OF 1

DO NOT SCALE DRAWING

APPROVALS: [] DATE: 03/27/05

Amphenol Connex

PART DESCRIPTION: SMB BULKHEAD JACK TO JACK ADAPTER

PART NO.: 142250

DWG. NO.: 142250.DWG

REV. A SIZE A SCALE NA