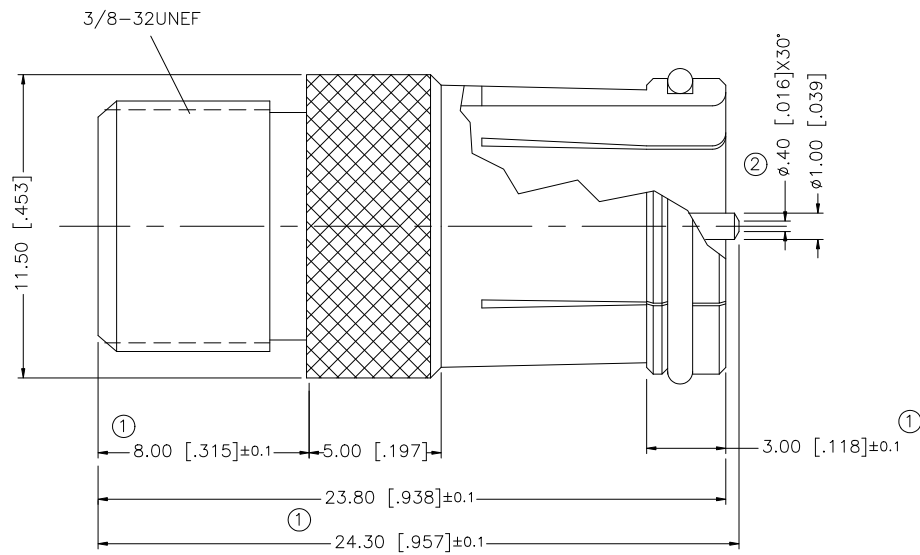


REV.	DATE	DESCRIPTION
NC	11/06/99	INITIAL RELEASE
A	12/27/05	UPDATE DRAWING FORMAT
B	04/20/06	REVISE BODY DIMENSIONS ①
C	07/12/07	ADD CHAMFER TO CONTACT PIN ②



DESCRIPTION	MATERIAL	FINISH	QTY	DO NOT SCALE DRAWING	APPROVALS	DATE	Amphenol Connex			
8					DRAWN	G.R.S.	07/12/07	F FEMALE TO QUICK DISCONNECT MALE ADAPTER PART NO. 222157 DWG. NO. 222157.DWG REV. C SIZE A SCALE NA		
7					CHECKED					
6					ISSUED					
5					SHEET	1 OF 1				
4	CONTACT PIN	BRASS	BRIGHT TIN	1	CAD FILE	C:/222/222157.DWG				
3	INSULATOR	P.P.	NATURAL	1	<small>UNLESS OTHERWISE SPECIFIED DIMENSIONS ARE IN MILLIMETERS. DIMENSIONS IN [] ARE IN INCHES AND FOR CUSTOMER REFERENCE ONLY.</small> <small>UNLESS OTHERWISE SPECIFIED TOLERANCES FOR MILLIMETERS ARE:</small> 0.5 - 8mm ± 0.20mm 8 - 30mm ± 0.40mm 30 - 120mm ± 0.50mm <small>UNLESS OTHERWISE SPECIFIED TOLERANCES FOR INCHES ARE:</small> .020 - .315 = ± 0.007" .315 - 1.180 = ± 0.015" 1.180 - 4.724 = ± 0.020"					
2	INSULATOR	DELTRIN	NATURAL	1						
1	BODY	BRASS	NICKEL	1						