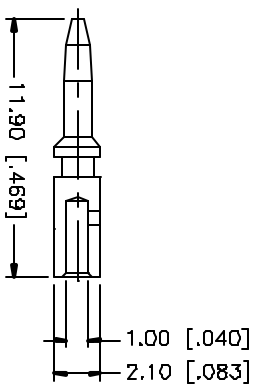
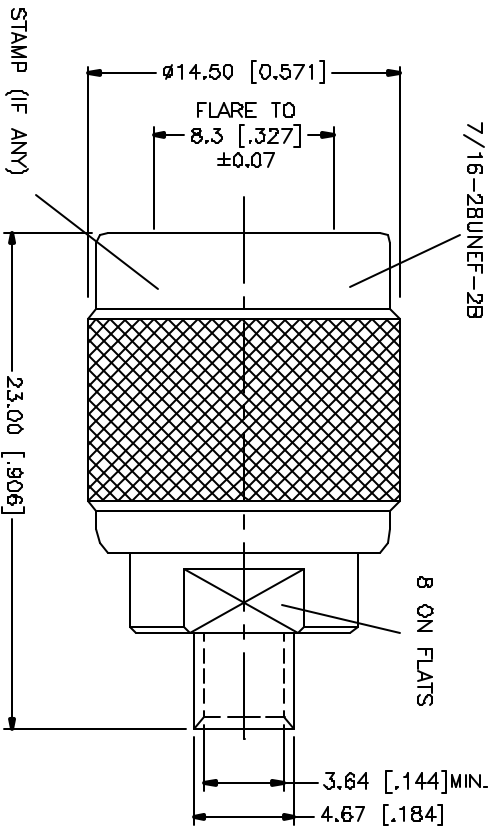
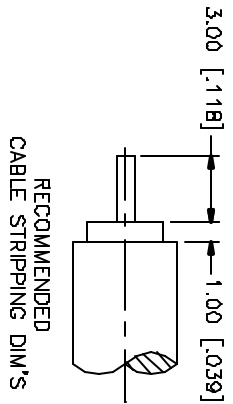


REV.	DATE	DESCRIPTION
A	11/08/04	ADD COUPLING NUT / CHANGE PLATING TO NICKEL



NOTE:
1. CRIMPED CONTACT PIN
HEX CRIMP SIZE .068"

QTY	FINISH	MATERIAL	DESCRIPTION
1	NICKEL	BRASS	COUPLING NUT
1	GOLD	BRASS	CONTACT PIN
1	NATURAL	TEFLON	INSULATOR
1	NICKEL	BRASS	BODY

APPROVALS	DATE
DRAWN C.R.S.	11/08/04
CHECKED	
ISSUED	
SHEET 1 OF 1	

Amphenol Connex

PART DESCRIPTION
TNC DIRECT SOLDER PLUG
(FOR .141" SEMI RIGID CABLE)

PART NO. 122386

QAD FILE C:/122/122386.DWG

DWG. NO. 122386.DWG

REV. A

SIZE A

SCALE NA

UNLESS OTHERWISE SPECIFIED DIMENSIONS ARE IN MILLIMETERS DIMENSIONS IN INCHES ARE NOTED AND FOR CUSTOMER REFERENCE ONLY.
UNLESS OTHERWISE SPECIFIED TOLERANCES FOR MILLIMETERS ARE:
0.5 - 30mm ± 0.20mm
30 - 120mm ± 0.40mm
UNLESS OTHERWISE SPECIFIED TOLERANCES FOR INCHES ARE:
.020 - .315 ± 0.007"
.315 - 1.180 ± 0.015"
1.180 - 4.174 ± 0.020"
DO NOT SCALE DRAWING