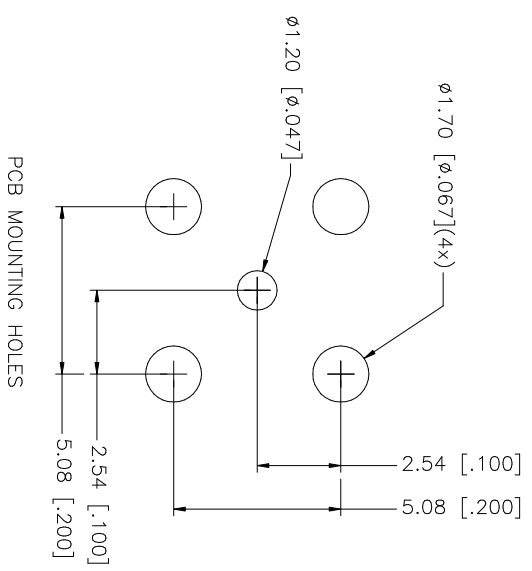
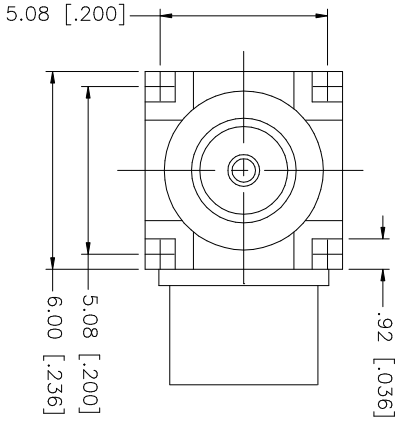
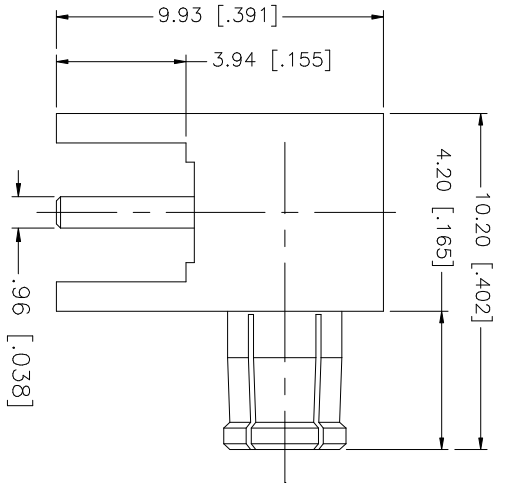


| REV. | DATE | DESCRIPTION |
|------|----------|-----------------------|
| NC | 12/16/98 | INITIAL RELEASE |
| A | 12/31/05 | UPDATE DRAWING FORMAT |



| QTY | FINISH | MATERIAL | DESCRIPTION |
|-----|---------|-------------|-------------|
| 1 | GOLD | BER. COPPER | CONTACT PIN |
| 1 | NATURAL | TEFLON | INSULATOR |
| 1 | GOLD | BRASS | CONTACT PIN |
| 1 | NATURAL | TEFLON | INSULATOR |
| 1 | GOLD | BRASS | BODY |

| APPROVALS | DATE |
|--------------|----------|
| DRAWN G.R.S. | 12/31/05 |
| CHECKED | |
| ISSUED | |
| SHEET 1 OF 1 | |

| UNLESS OTHERWISE SPECIFIED, DIMENSIONS ARE IN MILLIMETERS. DIMENSIONS IN INCHES ARE FOR CUSTOMER REFERENCE ONLY. TOLERANCES FOR MILLIMETERS ARE: |
|--|
| 0.5 - 8mm ± 0.20mm |
| 8 - 30mm ± 0.40mm |
| 30 - 120mm ± 0.50mm |

| UNLESS OTHERWISE SPECIFIED, DIMENSIONS ARE IN INCHES. DIMENSIONS IN MILLIMETERS ARE FOR CUSTOMER REFERENCE ONLY. TOLERANCES FOR INCHES ARE: |
|---|
| .020 - .315 = ± 0.007" |
| .315 - 1.180 = ± 0.015" |
| 1.180 - 4.724 = ± 0.020" |

| CAD FILE | DO NOT SCALE DRAWING |
|-------------------|----------------------|
| C:/252/252155.DWG | |

| DWG. NO. | REV. | SIZE | SCALE |
|------------|------|------|-------|
| 252155.DWG | A | A | NA |

Amphenol Connex

MCX R/A P.C.B. RECEPTACLE PLUG

252155