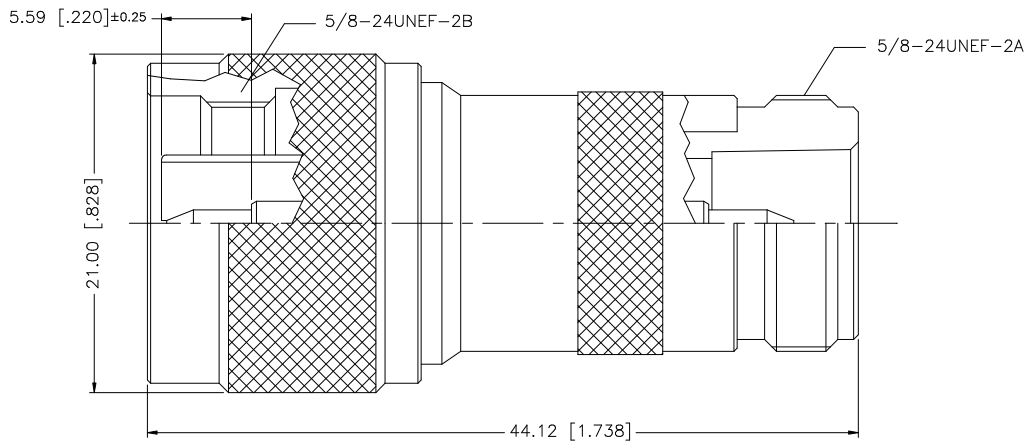


REV.	DATE	DESCRIPTION
A	09/07/04	UPDATE DRAWING FORMAT/ MODIFY X-SECTION
B	09/13/05	MODIFY LENGTH AND X-SEC VIEW.
C	04/08/07	ADD X-SEC VIEW



8				<small>UNLESS OTHERWISE SPECIFIED DIMENSIONS ARE IN MILLIMETERS; DIMENSIONS IN [] ARE IN INCHES AND FOR CUSTOMER REFERENCE ONLY.</small> <small>UNLESS OTHERWISE SPECIFIED TOLERANCES FOR MILLIMETERS ARE: 0.5 – 8mm ± 0.20mm 8 – 30mm ± 0.40mm 30 – 120mm ± 0.50mm</small> <small>UNLESS OTHERWISE SPECIFIED TOLERANCES FOR INCHES ARE: .020 – .315 ± 0.007" .315 – 1.180 ± 0.015" 1.180 – 4.724 ± 0.020"</small>	APPROVALS	DATE	<h1 style="color: blue;">Amphenol Connex</h1>	
7					DRAWN	G.R.S.		04/08/07
6					CHECKED			
5					ISSUED			
4					SHEET	1 OF 1		
3	CONTACT PIN	BRASS	GOLD	1			PART DESCRIPTION	
2	INSULATOR	TEFLON	NATURAL	1			N PLUG TO N REVERSE POLARITY JACK ADAPTER	
1	BODY	BRASS	NICKEL	1			PART NO.	
							172213RP	
	DESCRIPTION	MATERIAL	FINISH	QTY	CAD FILE		DWG. NO.	
				DO NOT SCALE DRAWING	C:/172/172213RP.DWG		172213RP.DWG	
							REV. C	
							SIZE A	
							SCALE NA	