

## Cable Assembly – U.FL to Reverse Polarity SMA Bulkhead Female



### ORDERING INFORMATION

Order Number	Description
<b>080-0001</b>	Cable assembly: 105mm in length with reverse polarity SMA female bulkhead and U.FL connector using 1.13mm diameter cable.

### SPECIFICATIONS

Specification	Value
Frequency Range	DC to 6GHz (VSWR 1.3 max)
Impedance	50 ohms
Temperature	-40° to +85° C
Rated Voltage	AC 60V
Contact Resistance	20m ohm max – signal and ground
Withstand Voltage	AC 200V
Insulation Resistance	500M ohm minimum/DC 100V
VSWR	< 1.2:1 @ 2400MHz
IL	< 1.0dB @ 2400MHz
Bend Radius	6.8mm minimum

The information in this document is subject to change without notice.  
Confirm the data is current by downloading the latest revision from [www.lsr.com](http://www.lsr.com).

**PHYSICAL DIMENSIONS (MM)**

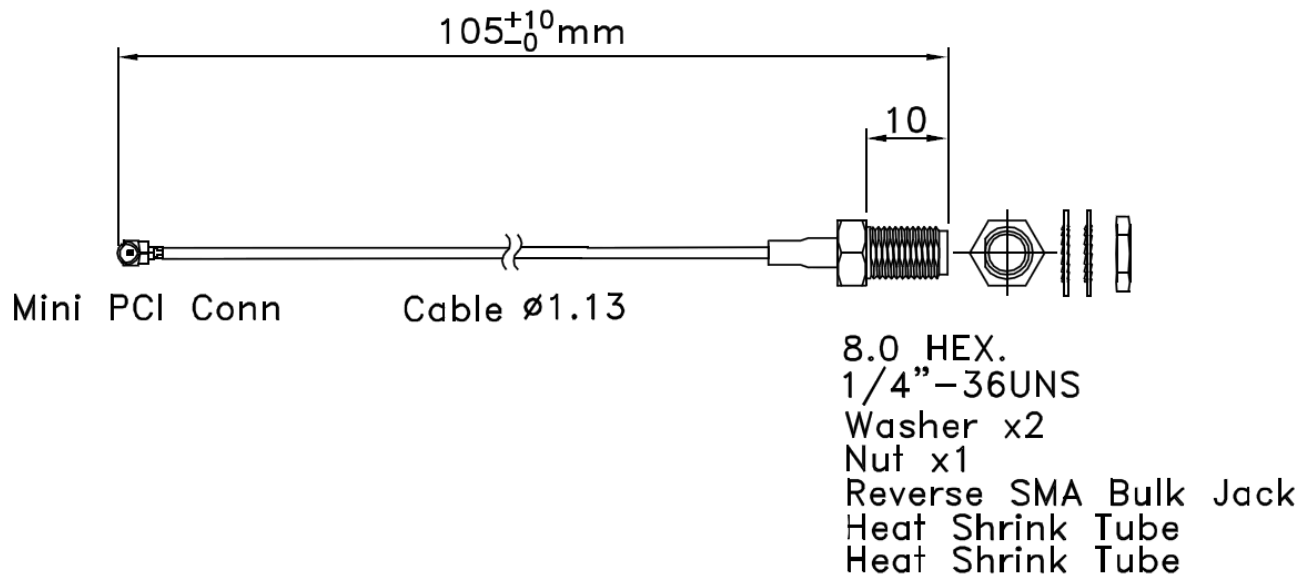


Figure 1

**PANEL CUTOUT**

**RECOMMENDED PANEL CUTOUT**  
3.80 [.150] MAX. PANEL THICKNESS

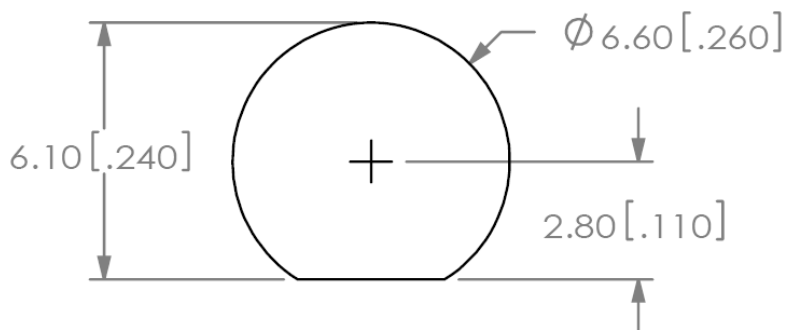


Figure 2

The information in this document is subject to change without notice.  
Confirm the data is current by downloading the latest revision from [www.lsr.com](http://www.lsr.com).

**CONTACTING LS RESEARCH**

<b>Headquarters</b>	LS Research, LLC W66 N220 Commerce Court Cedarburg, WI 53012-2636 USA Tel: 1(262) 375-4400 Fax: 1(262) 375-4248
<b>Website</b>	<a href="http://www.lsr.com">www.lsr.com</a>
<b>Technical Support</b>	<a href="mailto:support@lsr.com">support@lsr.com</a>
<b>Sales Contact</b>	<a href="mailto:sales@lsr.com">sales@lsr.com</a>

The information in this document is provided in connection with LS Research (hereafter referred to as “LSR”) products. No license, express or implied, by estoppel or otherwise, to any intellectual property right is granted by this document or in connection with the sale of LSR products. EXCEPT AS SET FORTH IN LSR’S TERMS AND CONDITIONS OF SALE LOCATED ON LSR’S WEB SITE, LSR ASSUMES NO LIABILITY WHATSOEVER AND DISCLAIMS ANY EXPRESS, IMPLIED OR STATUTORY WARRANTY RELATING TO ITS PRODUCTS INCLUDING, BUT NOT LIMITED TO, THE IMPLIED WARRANTY OF MERCHANTABILITY, FITNESS FOR A PARTICULAR PURPOSE, OR NON-INFRINGEMENT. IN NO EVENT SHALL LSR BE LIABLE FOR ANY DIRECT, INDIRECT, CONSEQUENTIAL, PUNITIVE, SPECIAL OR INCIDENTAL DAMAGES (INCLUDING, WITHOUT LIMITATION, DAMAGES FOR LOSS OF PROFITS, BUSINESS INTERRUPTION, OR LOSS OF INFORMATION) ARISING OUT OF THE USE OR INABILITY TO USE THIS DOCUMENT, EVEN IF LSR HAS BEEN ADVISED OF THE POSSIBILITY OF SUCH DAMAGES. LSR makes no representations or warranties with respect to the accuracy or completeness of the contents of this document and reserves the right to make changes to specifications and product descriptions at any time without notice. LSR does not make any commitment to update the information contained herein. Unless specifically provided otherwise, LSR products are not suitable for, and shall not be used in, automotive applications. LSR’s products are not intended, authorized, or warranted for use as components in applications intended to support or sustain life.

---

The information in this document is subject to change without notice.  
Confirm the data is current by downloading the latest revision from [www.lsr.com](http://www.lsr.com).