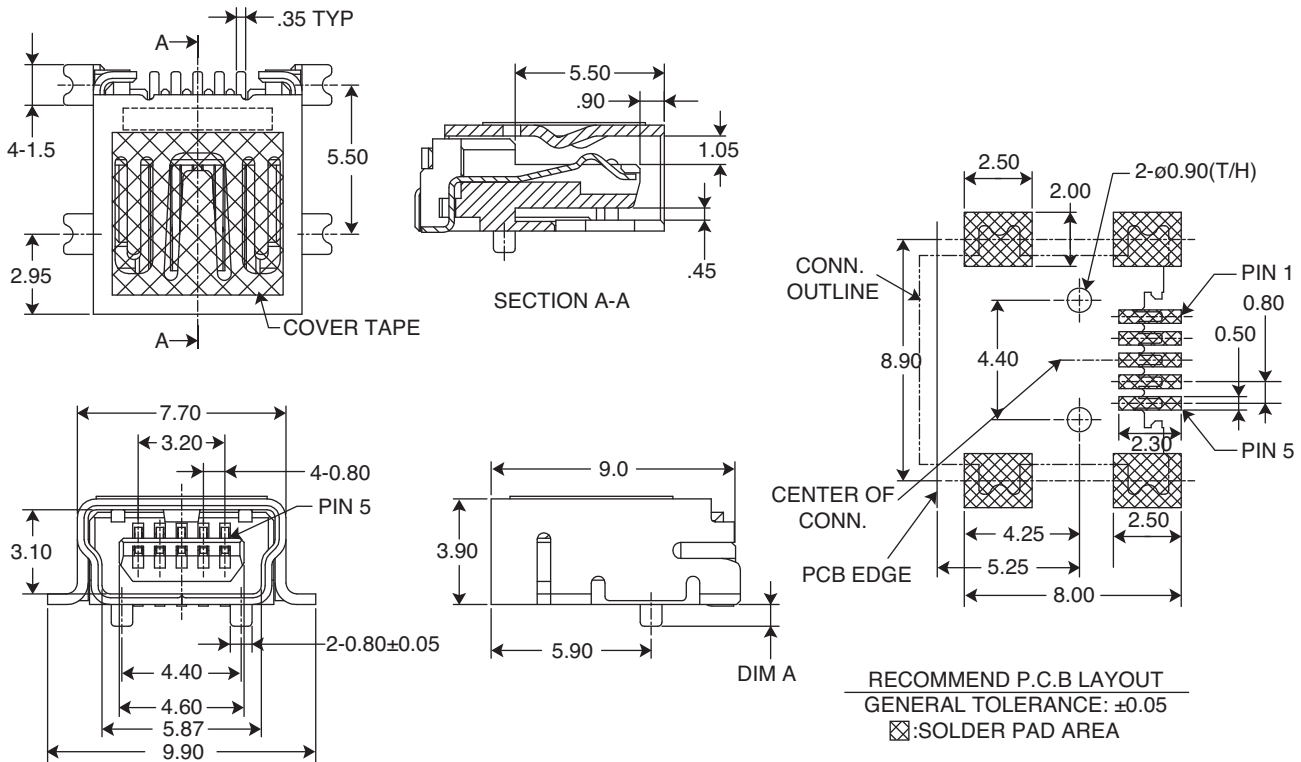
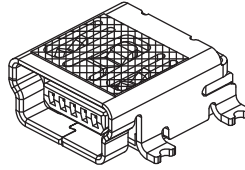


Mini USB B Type Receptacle

154-15320-E

KOBICONN

Mini USB B Type Receptacle



Dimensions: mm

ELECTRICAL SPECIFICATIONS

Current Rating:	1.0A AC/DC
Voltage Rating:	5V AC/DC
Contact Resistance:	50mΩ max.
Insulation Resistance:	1000MΩ min.
Dielectric Withstanding Volt.:	500V AC/minute
Operating Temperature:	0°C to +50°C

MATERIAL SPECIFICATIONS

Housing:	High temp. plastic, UL94V-0, Black
Terminal:	Copper alloy
Terminal Plating:	Gold on contact, tin on solder all over nickel
Shell:	SPCC or copper alloy
Shell Plating:	Gold or tin on all over nickel
Mylar:	Polyimide

SPECIFICATIONS

RoHS Compliant

Date Last Revised: 5/18/10

Available from Mouser Electronics
1-800-346-6873 / www.mouser.com

KC- 301260

Specifications are subject to change without notice. No liability or warranty implied by this information. Environmental compliance based on producer documentation.

154-15320-E