

**Materials and Finish**

Shell:  
 Steel or Phosphor Bronze  
 0.3mm thickness

Insulator:  
 PBT Thermoplastic  
 UL 94V-0 Rated  
 White Color

Contact Plating-  
 Standard: Glod flash plated  
 30 option: 30u" gold plated.

Recommended Cable Size:  
 Ø3.4 to Ø5.3 outer diameter

**Electrical Characteristics**

Contact Resistance:  
 30 milliohm max. initial

Insulation Resistance:  
 1000 Megohm min.

Dielectric Withstanding Voltage:  
 500V AC (rms) min.

Voltage Rating: 30V AC (rms)

Current Rating: 1.5A max.  
 per contact at 30°C T-Rise

Operating Temperature:  
 -55°C to +85°C

Ordering Information	
Part Number	Contact Area Plating
KUSBX-AP-KIT-SC	Gold Flash (standard)
KUSBX-AP-KIT-SC-30	30u" Gold (-30 option)

**RoHS COMPLIANT**  
 EU Directive 2002/95/EC

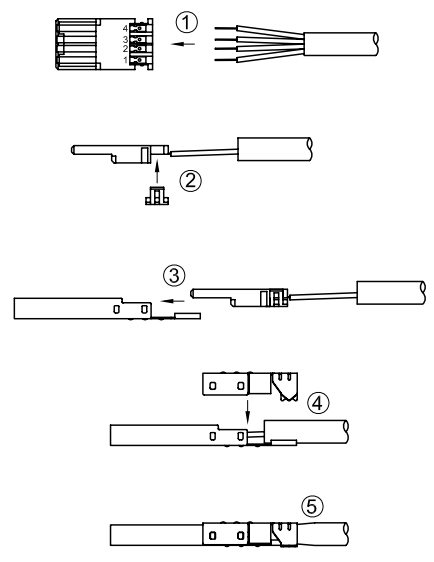
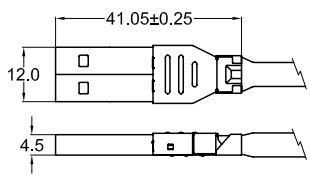
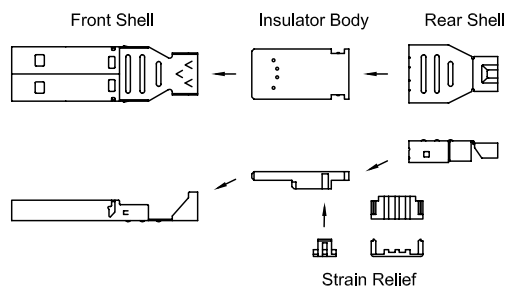
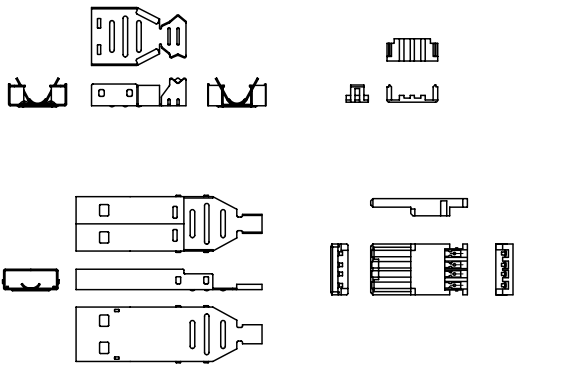
Tolerances
X.X ± 0.25
X.XX ± 0.15
Unless Stated Otherwise

REV.	DATE	DESCRIPTION	REV. BY	CHK. BY	DRAWN BY	DATE
A1	6/27/05	New Drawing	N.Chang	C. Furumasu	N.Chang	6/27/05
A2	6/14/06	Add 30 option	H. MA	C. Furumasu		
A3	10/07/10	ECO #10-070	S. Vien	H. MA		

**KUSBX-AP-KIT-SC**

USB A-type Plug Assembly, RoHS Compliant  
 With Solder Cup ends, page 1 of 2





**Assembly Instructions**

- 1) Solder cable wires to Insulator Body.
- 2) Snap Strain Relief onto Insulator Body.
- 3) Place Strain Relief/Insulator Body assembly into Front Shell and push forward until firmly seated in place.
- 4) Snap Rear Shield onto Front Shield.
- 5) Crimp Rear Shield tail over Front Shield.

**RoHS COMPLIANT**  
EU Directive 2002/95/EC

Tolerances
X.X ± 0.25
X.XX ± 0.15
Unless Stated Otherwise

REV.	DATE	DESCRIPTION	REV. BY	CHK. BY	DRAWN BY	DATE
A1	6/27/05	New Drawing	N.Chang	C. Furumasa	N.Chang	6/27/05
A2	6/14/06	Add 30 option	H. MA	C. Furumasa		
A3	10/07/10	ECO #10-070	S. Vien	H. MA		

**KUSBX-AP-KIT-SC**

USB A-type Plug Assembly, RoHS Compliant  
With Solder Cup ends, page 2 of 2

