

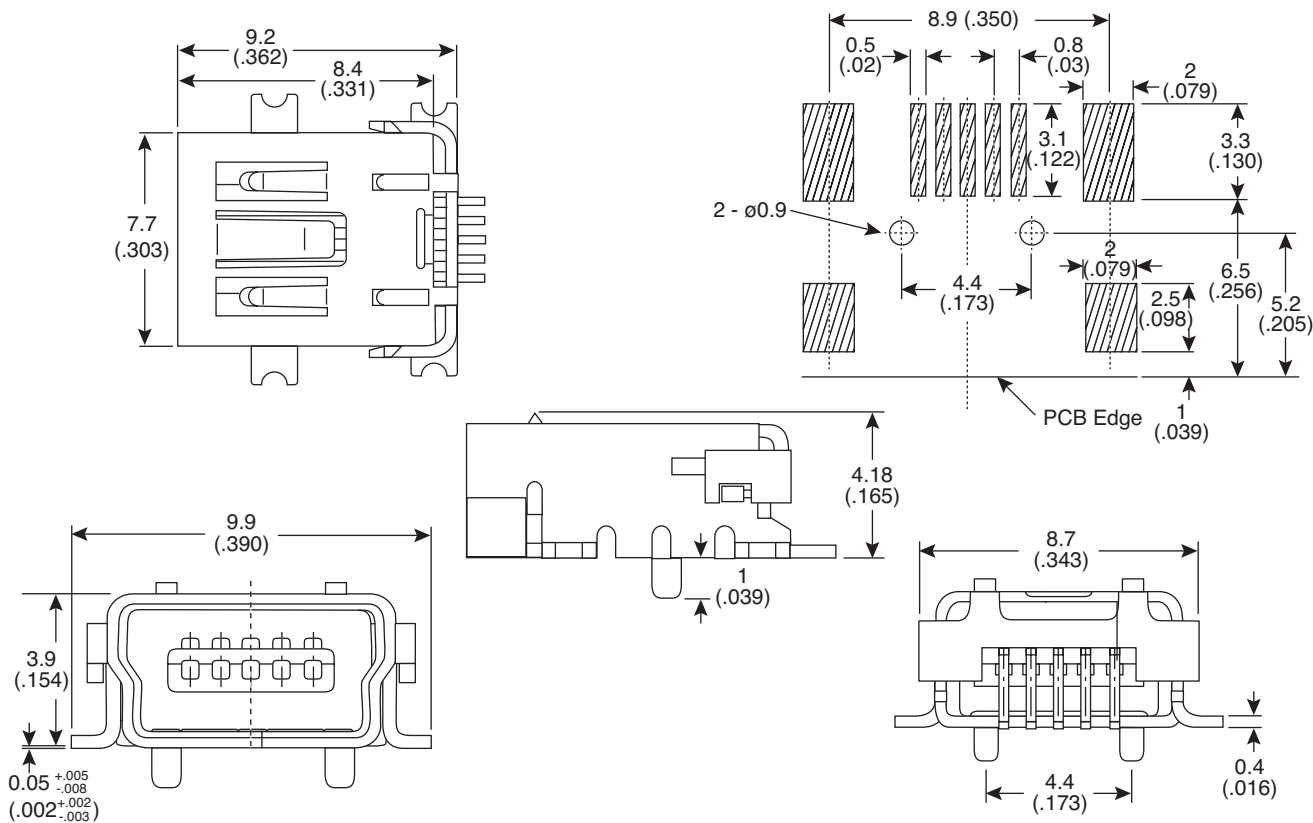
# Mini USB B Type Connector

154-4101

**KOBI**CONN

Mini USB B Type Connector

**DIMENSIONS: mm (In.)**



ELECTRICAL SPECIFICATIONS	
<b>Voltage Rating:</b>	30VAC(rms)
<b>Current Rating:</b>	1 Amp.
<b>Contact Resistance:</b>	50m $\Omega$ Max.
<b>Insulation Resistance:</b>	100M $\Omega$ Min.
<b>Dielectric Strength:</b>	100VAC Min.

MECHANICAL SPECIFICATIONS	
<b>Durability:</b>	5000 Cycles
<b>Mating Force:</b>	35N Max.
<b>Unmating Force:</b>	2.9N Min.

Tolerances	
Range	mm
0-1	$\pm 0.1$
1-4	$\pm 0.3$
4-16	$\pm 0.5$
16-23	$\pm 0.8$
63-250	$\pm 1.0$

Materials	
<b>Plating:</b>	Nickel in all areas
<b>Contact Area:</b>	Au 30 u" over Nickel
<b>Solder Area:</b>	Tin-Lead over Nickel
<b>Shell:</b>	Copper Alloy
<b>Shell Plating:</b>	Tin-Lead over Nickel
<b>Contacts:</b>	Phosphor Bronze
<b>Receptacle Housing:</b>	LCP Black

Date Last Revised: 10-15-05

Available from Mouser Electronics  
1-800-346-6873  
www.mouser.com

KC-300226

154-4101

Specifications are subject to change without notice. No liability or warranty implied by this information. Environmental compliance based on producer documentation.