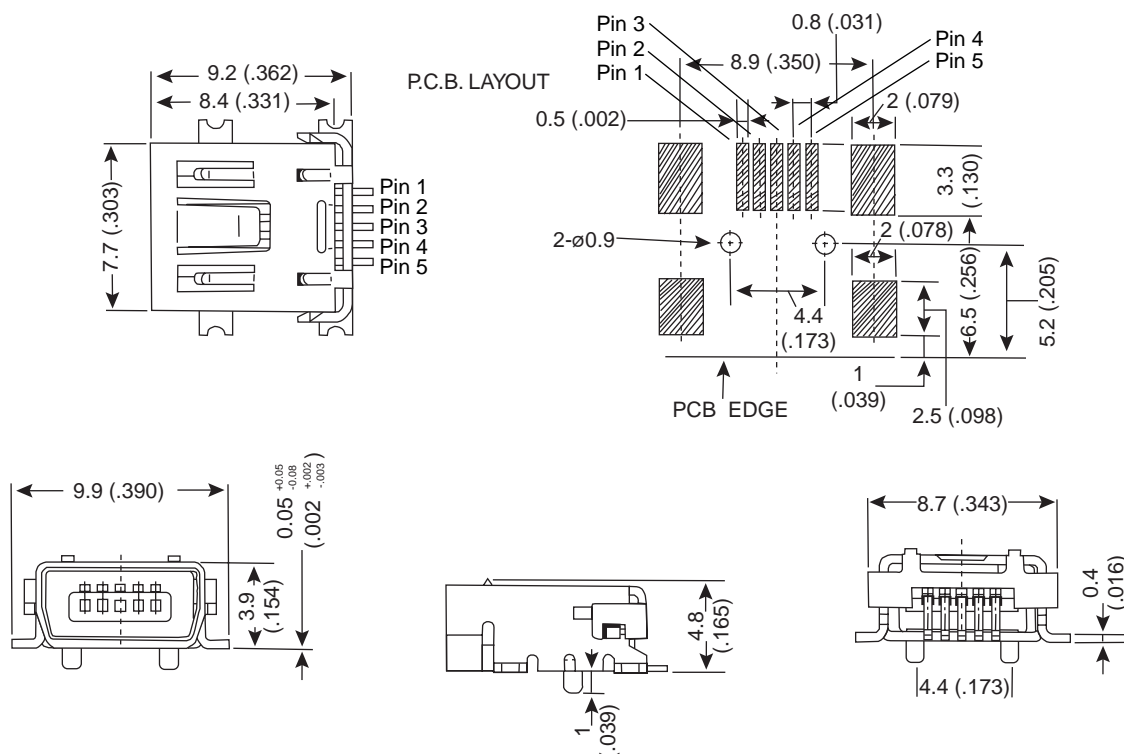


Mini USB C Type Connector

154-5101

KOBICONN

Mini USB C Type Connector



DIMENSIONS (IN.)

Electrical	
Voltage Rating:	30VAC (rms)
Current Rating:	1 Amp
Contact Resistance:	50mΩ max.
Insulation Resistance:	100MΩ min.
Dielectric Strength:	100VAC min.

Mechanical	
Durability:	5000 Cycles
Mating Force:	35N max.
Unmating Force:	2.9N min.

Materials	
Contacts:	Phosphor Bronze
Shell:	Copper Alloy
Receptacle Housing:	LCP (UL 94V-0) Molded Black Plating
Contact Area:	Au 30 μ" over Nickel
Solder Area:	Tin-Lead over Nickel
Shell:	Tin-Lead over Nickel
Nickel in all area	

Date Last Revised: 6-17-04

Available from Mouser Electronics
1-800-346-6873
www.mouser.com

KC-300090

154-5101