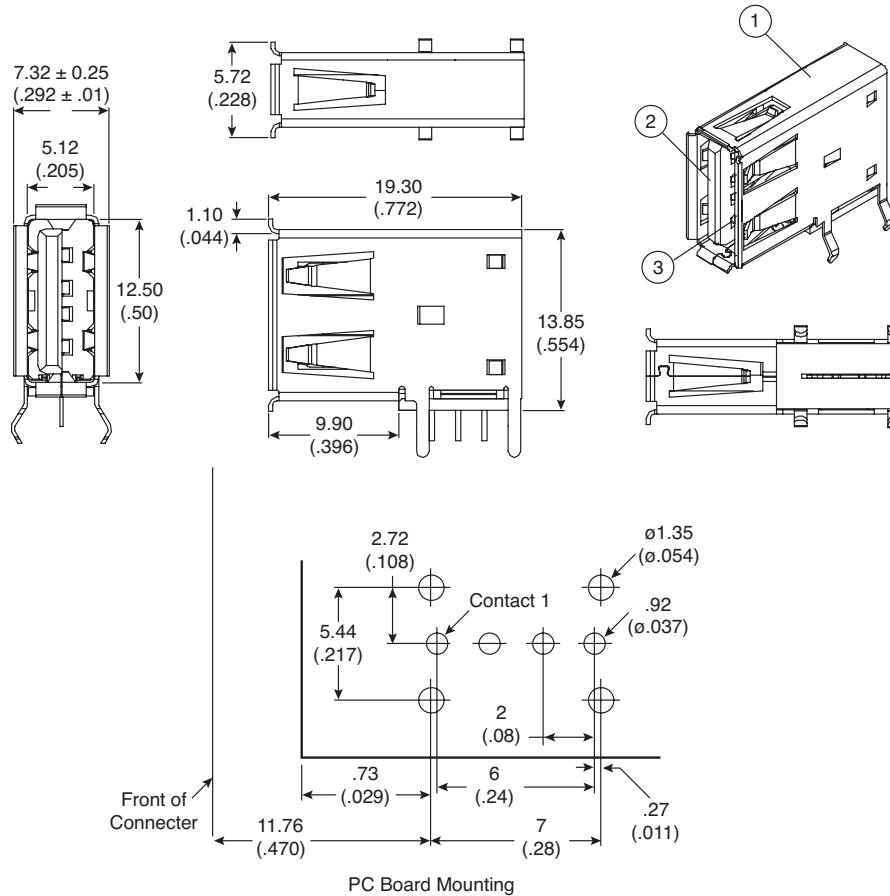


USB Connector Type A Receptacle, Up-right & Single Deck Thru-hole

154-UAR80-E

KOBICONN

USB Connector Type A Receptacle, Up-right & Single Deck Thru-hole



Specifications

Voltage:	30 VAC
Current:	1.5 Ampere max. per contact at 30°C
Temperature:	-55°C to +85°C
Plating of Contact:	2: 5μ" golding
	5: 30μ" golding
	6: 2μ" min Au/ 3Dμ" min.
Contact:	Copper alloy/ selective gold plating
Housing:	Thermoplastic, glass filled
Shell:	Copper alloy/ plated
RoHS Compliant	

Electrical Specifications

Contact Resistance:	30 milliohms maximum initial
Insulation Resistance:	1,000 megohms minimum
Dielectric Withstanding Voltage:	500 VAC at sea level

Date Last Revised: 10-14-05

Available from Mouser Electronics
1-800-346-6873
www.mouser.com

154-UAR80-E
KC-301003