

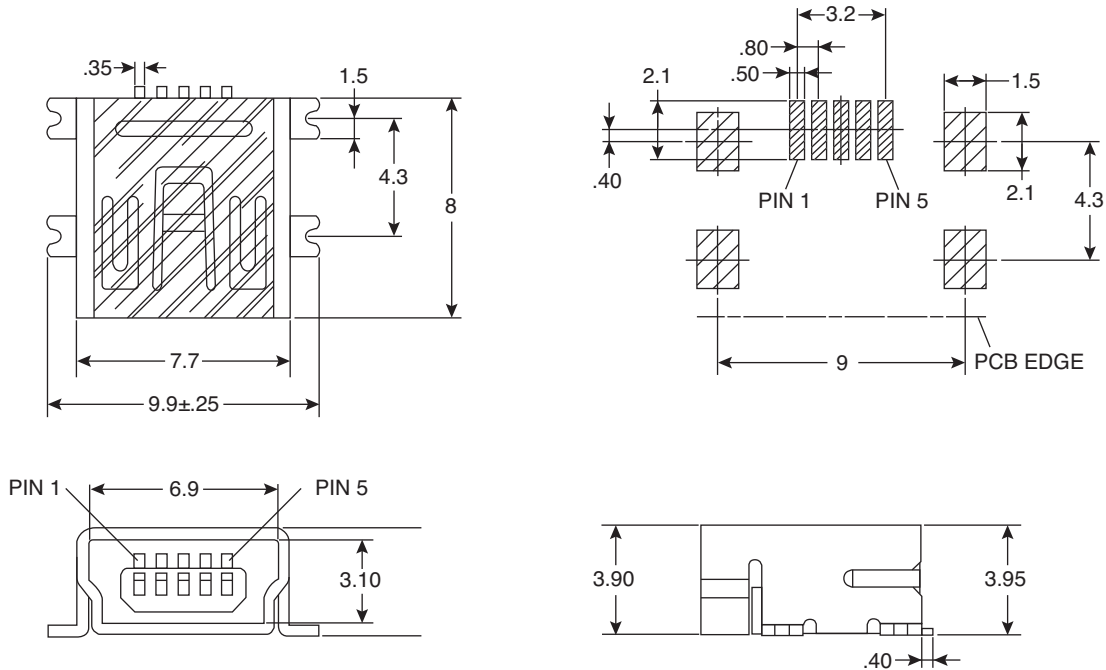
Mini USB B Type Receptacle

154-15322-E



Mini USB B Type Receptacle

RECOMMENDED P.C.B LAYOUT (COMPONENT SIDE)



Dimensions: mm

ELECTRICAL SPECIFICATIONS

Current Rating:	1.0A AC/DC
Voltage Rating:	5V AC/DC
Contact Resistance:	50mΩ MAX.
Insulation Resistance:	100MΩ MIN.
Dielectric Withstanding Voltage:	500V AC/Minute

MATERIALS SPECIFICATIONS

Housing:	High Temp.Plastic, UL94V-0, Black
Terminal:	Copper Alloy
Terminal Plating:	Gold on contact and tin on solder all over nickel
Shell:	SPCC
Shell Plating:	Gold or tin on all over nickel
Mylar:	Polymide
RoHS Compliant	

Date Last Revised: 12-04-08

Available from Mouser Electronics
1-800-346-6873 / www.mouser.com

KC-301259

154-15322-E

Specifications are subject to change without notice. No liability or warranty implied by this information. Environmental compliance based on producer documentation.