

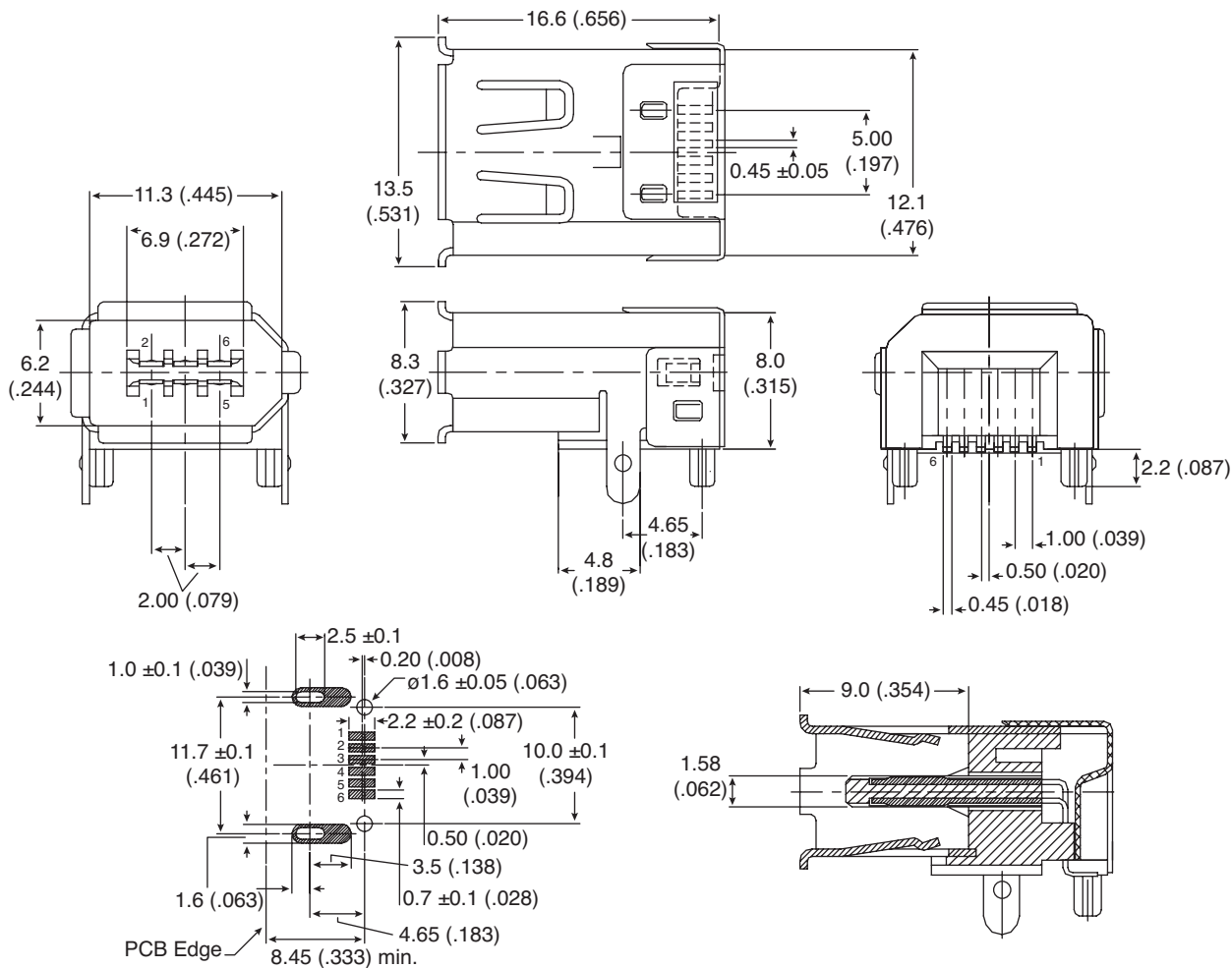
# IEEE 1394 Firewire, 6 Pin Receptacle Right Angle (SMT)

154-FWR41-E



IEEE 1394 Firewire, 6 Pin Receptacle Right Angle (SMT)

154-FWR41-E



Dimensions: mm (In.)

Specifications	
<b>Withstanding Voltage:</b>	DC 500 ±50V
<b>Insulation Resistance:</b>	100 Megaohms min.
<b>Contact Resistance:</b>	30 Milliohms max.
<b>Housing:</b>	High Temperature Thermoplastics, UL94V-0
<b>Shell:</b>	Copper Alloy
<b>Contacts:</b>	Copper Alloy
RoHS Compliant	

Date Last Revised: 7-12-06

Available from Mouser Electronics  
1-800-346-6873  
www.mouser.com

KC-300999