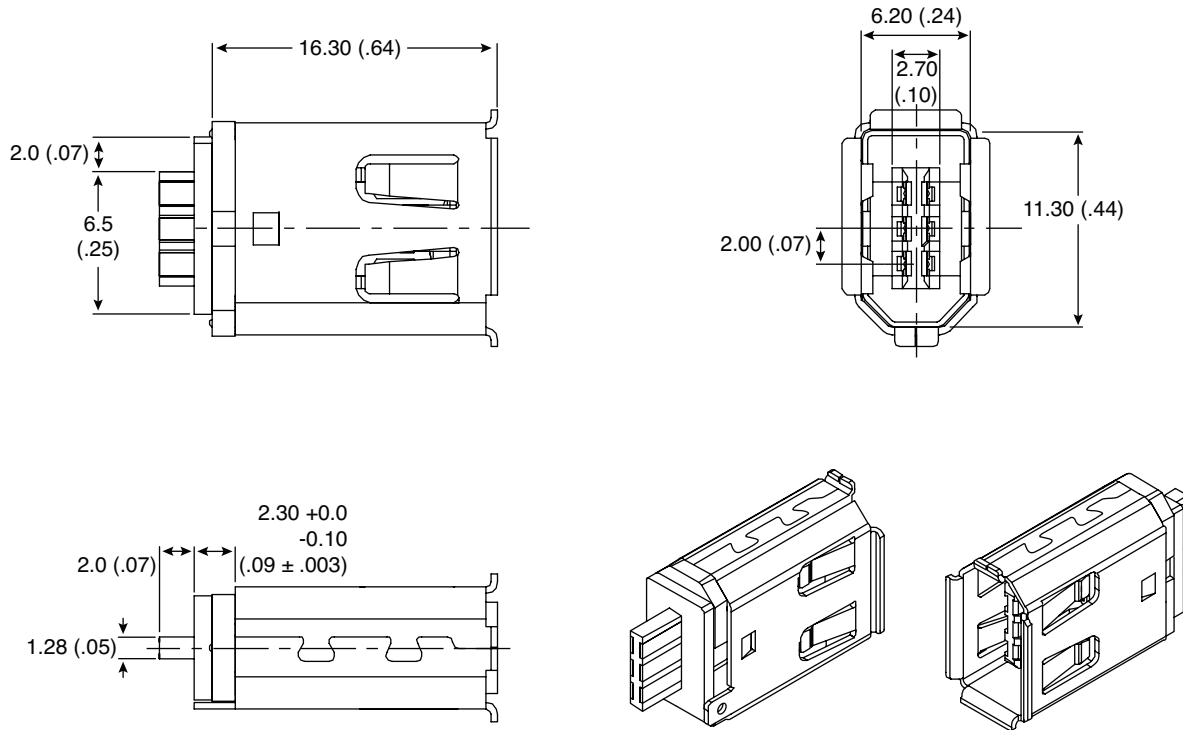


IEEE 1394 Firewire, 6 Pin Plug Solder Type

154-FWW20-E



IEEE 1394 Firewire, 6 Pin Plug Solder Type



Dimensions: mm (In.)

Electrical Specifications

Contact Resistance:	30 Milliohms max. initial
Insulation Resistance:	100 Megohms min.
Dielectric Withstanding Voltage:	500 ±10 VDC

Materials

Housing:	Temperature thermoplastic, glass filled, 130°C
Contact:	Copper Alloy
Contact Plating:	2: 5μ" Au 5: 30μ" Au
Shell:	Bright tin plated over copper, nickel over copper
Shell Plating:	2: nickel C: bright tin 4: Flash Au 8: gold
RoHS Compliant	

Date Last Revised: 7-12-06

Available from Mouser Electronics
1-800-346-6873
www.mouser.com

KC-300995

154-FWW20-E