

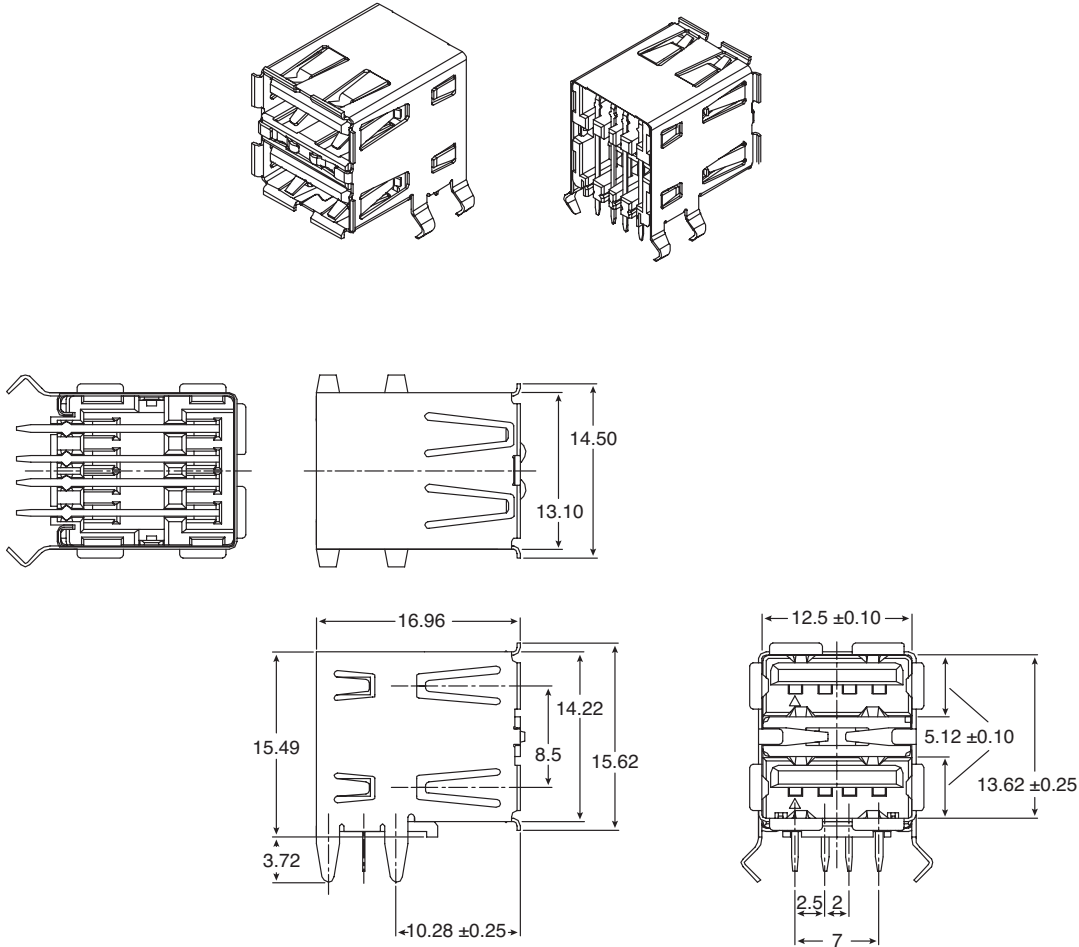
USB Connector A Type Receptacle Right Angle Double Deck Thru-hole

154-UAR64-E



USB Connector A Type Receptacle Right Angle Double Deck Thru-hole

154-UAR64-E



Dimensions: mm

Electrical Specifications	
Contact Resistance:	30 milliohms max.
Dielectric w/standing Voltage:	5500 VAC
Insulator Resistance:	1,000 Megaohms min.
Current Rating:	1.0 Ampere max. @ 30°C
Temperature Range:	-55°C to +85°C
Voltage:	30 VAC

SPECIFICATIONS	
Part Name	Material
Contacts:	Copper Alloy, 5μ" Gold plating
Housing:	Thermoplastic, Glass filled, 130°C
Shell:	Copper Alloy/ Tin-Lead Plated over Copper
RoHS Compliant	

Date Last Revised: 7/12/06

Available from Mouser Electronics
1-800-346-6873
www.mouser.com

KC-301005