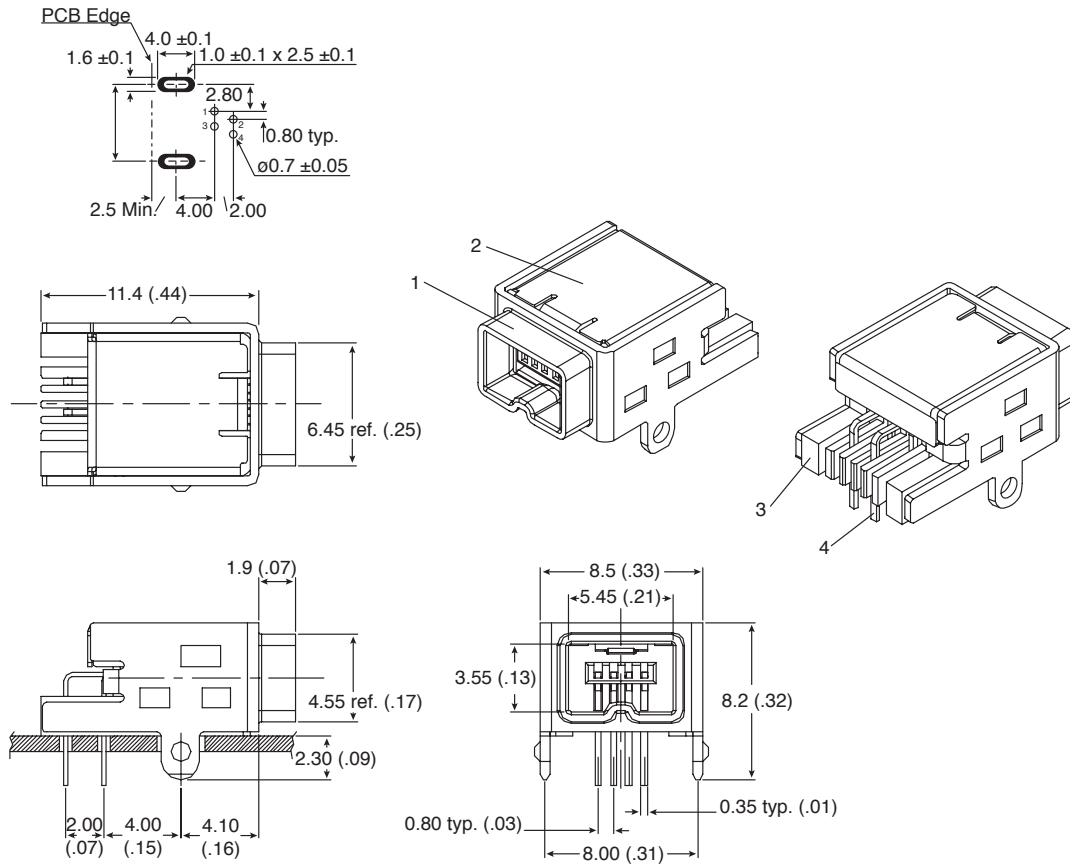


# IEEE 1394 Firewire, 4 Pin Receptacle



154-AVR20-E

IEEE 1394 Firewire, 4 Pin Receptacle



Dimensions: mm (In.)

Mechanical Specifications	
<b>Contact:</b>	Copper alloy / plated gold in mating area; tin-lead on tails
<b>Housing:</b>	(PBT) thermoplastic, glass filled, 130°C (PA-6T) high temperature thermoplastic
<b>Spring:</b>	Stainless
<b>Shell:</b>	Steel / tin-lead plated over copper
<b>Contact plating:</b>	Select plated gold 30μ
RoHS Compliant	

Date Last Revised: 7-12-06

Available from Mouser Electronics  
1-800-346-6873  
www.mouser.com

KC-301010

154-AVR20-E