

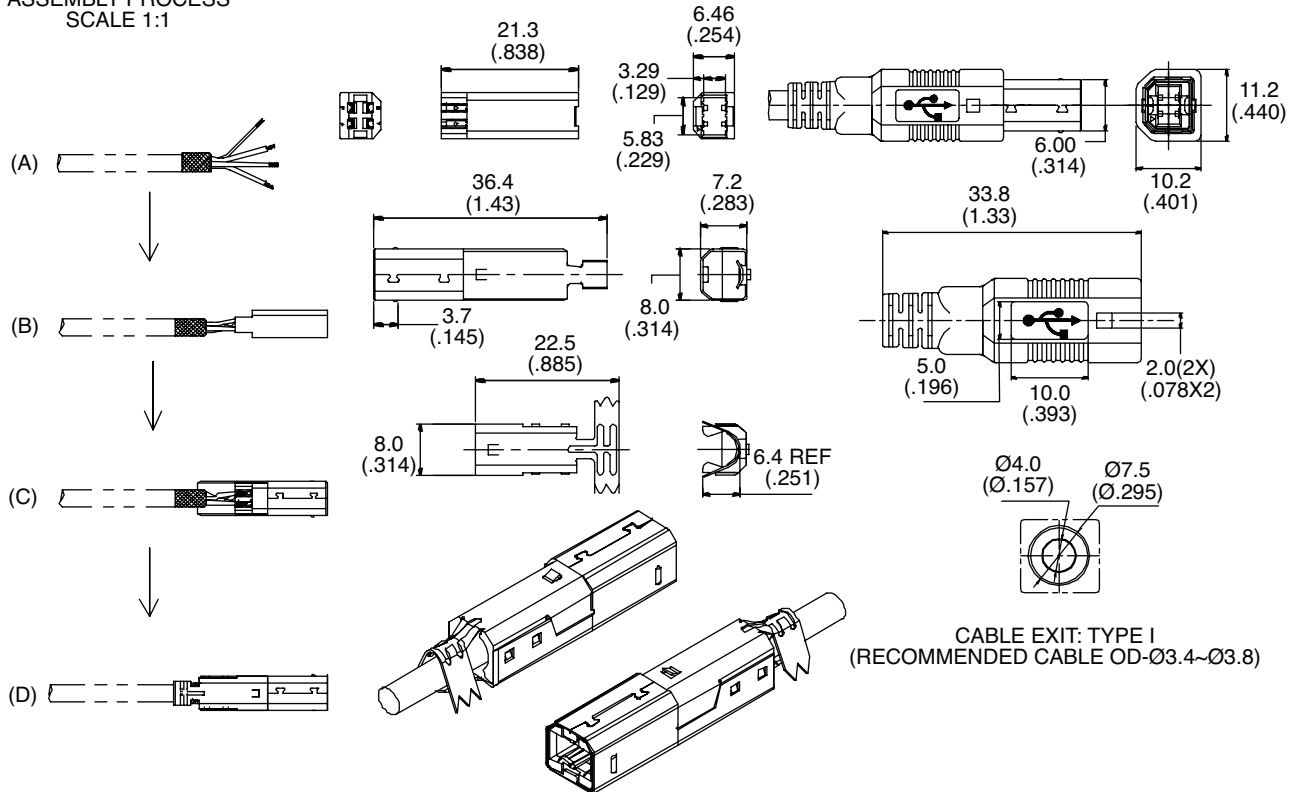
# USB "B" TYPE PLUG

154-UBW32-E, 154-UBC12-E



USB "B" TYPE PLUG

## ASSEMBLY PROCESS SCALE 1:1



Dimensions: mm (in.)

SPECIFICATIONS	
<b>Voltage:</b>	30 VAC (R.M.S.)
<b>Current:</b>	1.0 Ampere Maximum Per Contact at 30°C T-Rise
<b>Temperature:</b>	-55°C to +85°C Unless Limited By Cable or Overmold
<b>Contact Resistance:</b>	30 Milliohms Maximum Initial
<b>Insulation Resistance:</b>	1,000 M ohms Minimum
<b>Dielectric Withstanding Voltage:</b>	500 VAC at Sea Level
<b>Materials:</b>	ABS Resin, UL 94V-0 Rated
<b>RoHS Compliant</b>	

Date Last Revised: 5/08/07

Available from Mouser Electronics  
1-800-346-6873 / [www.mouser.com](http://www.mouser.com)

KC- 301152

Specifications are subject to change without notice. No liability or warranty implied by this information. Environmental compliance based on producer documentation.

154-UBW32-E, 154-UBC12-E