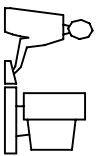
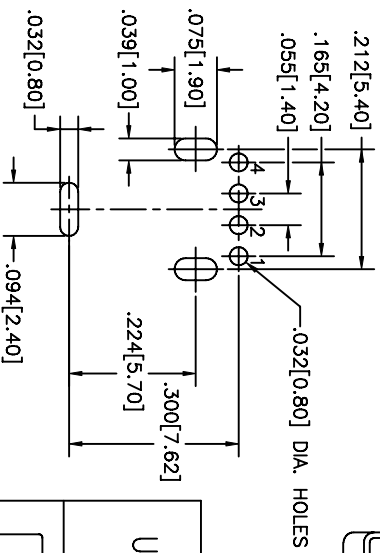
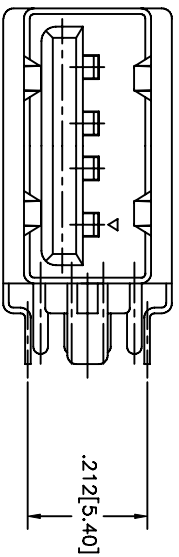
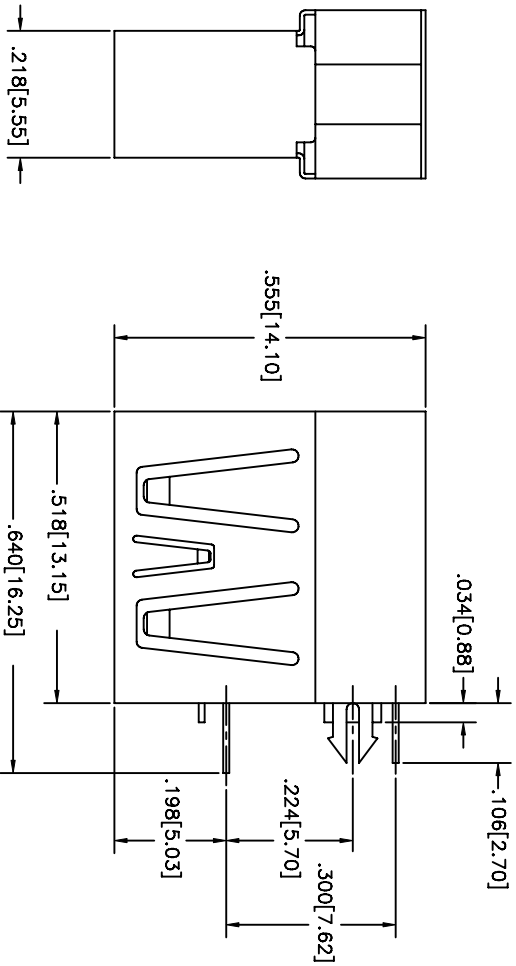
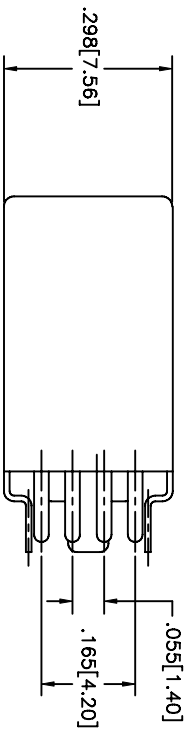


THIS IS A C.A.D. GENERATED DRAWING
DO NOT MAKE MANUAL REVISIONS TO MASTER.



ISSUE NUMBER
ORIGINAL ①
BOARDLAYOUT REDESIGNED, TIN PLATING WAS TIN/LEAD, ROHS STATEMENT ADDED. R.BLAKELEY NOV23/05 ②
PIN LOCATION 1 & 4 ADDED TO PCB LAYOUT. R.BLAKELEY JUN.27/07 ③
PART REDRAWN R.BLAKELEY JUL.13/07 ④
BACK OF CONNECTOR CHANGE F.BRIONES APR. 10/09 ⑤
⑥



ELECTRICAL:

CONTACT CURRENT: 1 AMP
DIELECTRIC WITHSTANDING VOLTAGE: 750 VAC R.M.S.
INSULATION RESISTANCE: 1000 MEGOHMS MIN.
CONTACT RESISTANCE: 30 MILLIOHMS MAX.

MATERIALS:

SHELL: COPPER ALLOY, TIN PLATED
CONTACTS: COPPER ALLOY GOLD PLATE ON CONTACT AREA
TIN ON TAIL END

GOLD FLASH 261 CONTACT CODE
15 MICRONS OF GOLD 361 CONTACT CODE
30 MICRONS OF GOLD 661 CONTACT CODE
INSULATOR: THERMOPLASTIC (HIGH TEMPERATURE RESISTANCE)

PART NUMBER: 690-004-261-013

CONTACT CODE _____



THIS SERIES FULLY CONFORMS TO THE
EUROPEAN UNION DIRECTIVES 2002/95/EC
AND 2002/96/EC FOR ROHS COMPLIANCY.

USB CONNECTOR "A" TYPE, RECEPTACLE RIGHT ANGLE
VERTICAL

ACAD REFERENCE NO.	690-004-261-013
DRAWN: F.BRIONES	DATE: JAN.22/04
CHECKED:	DATE:

SCALE: (IN C.A.D. 1:1)	SHEET 1 OF 1
------------------------	--------------

DRAWING NUMBER	ISSUE
----------------	-------

690-004-261-013

1

EDAC INC
EDAC INC
TORONTO, ONTARIO
CANADA

THESE DRAWINGS AND SPECIFICATIONS
ARE THE PROPERTY OF EDAC INC. AND
SHALL NOT BE REPRODUCED, OR COPIED
OR USED AS THE BASIS FOR THE
MANUFACTURE OR SALE OF APPARATUS
WITHOUT WRITTEN PERMISSION.

YOUR CONNECTION TO QUALITY & SERVICE