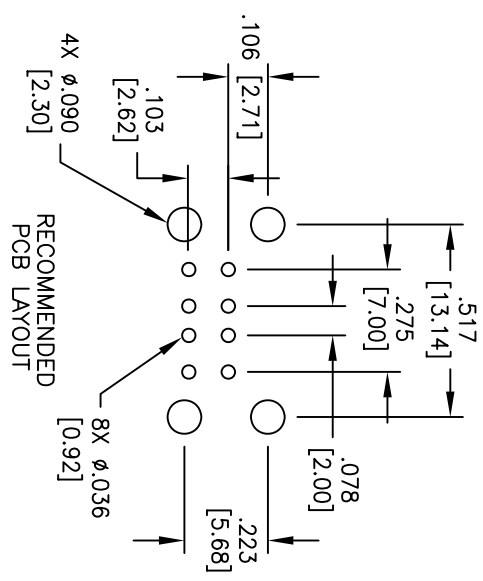
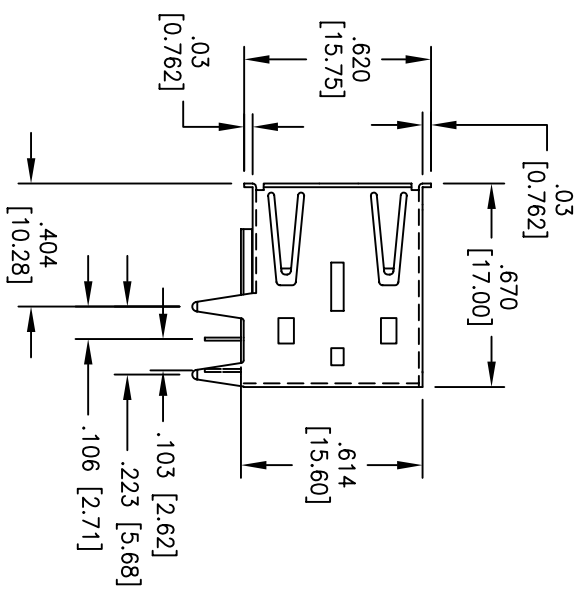
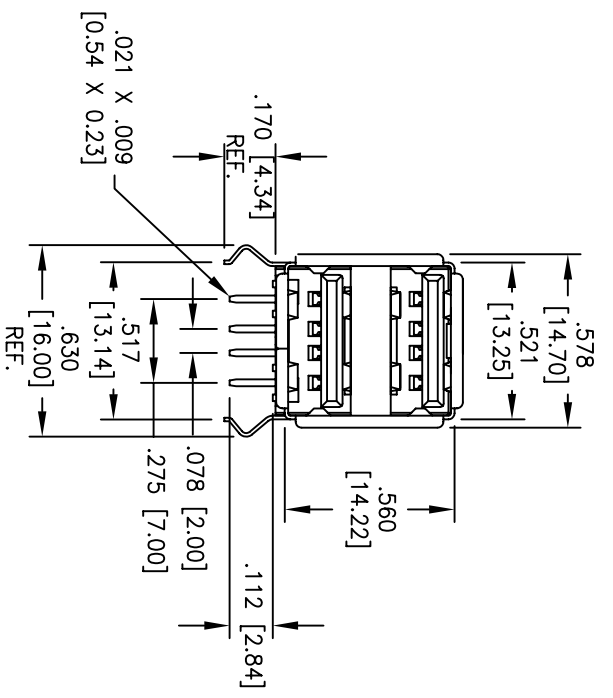


APPROVED: _____
 DATE: _____ TITLE: _____

Rev	AWO #	Description	Date	Appr
-		RELEASED	12/3/04	
A		REVISED & REDRAWN	09/22/05	



SPECIFICATIONS:

Material:
 Insulator: PBT, Glass filled, rated UL 94V-0
 Insulator color: Black
 Contacts: Phosphor Bronze
 Shell: Steel, nickel plated
Plating:
 Gold flash over Nickel underplate on contact area, Tin over Copper underplate on PCB tails

Electrical:
 Operating voltage: 250 VAC max.
 Current rating: 1 Amp max.
 Contact resistance: 30 mohms max.
 Insulation resistance: 100 Mohms min. @ 500 VDC
 Dielectric withstanding voltage: 250 VAC for 1 minute
Temperature Rating:
 Operating temperature: -40°C to +85°C

Environmental:
 Lead free, RoHS compliant.
 Recommended soldering temp: 235°C for 5 sec.



UNLESS OTHERWISE SPECIFIED
 ALL DIMENSIONS ARE INCHES [MM]
 TOLERANCES: EXCEPT AS NOTED

INCHES	±.10	ØXX	±.10
XX	±.020	ØXXX	±.015
XXX	±.015	ØXXX	±.010

APPROVALS

DATE	
SS	10/4/04

ADAM TECH
 909 Rahway Avenue, Union, NJ 07083
 Phone: 908-687-5000 Fax: 908-687-5710

TITLE: UNIVERSAL SERIAL BUS
 DUAL PORT, RIGHT ANGLE, PCB

DRAWN	SS	10/4/04	SIZE	PART NO.	REV.
CHECKED			X	USB-A-D-RA	A
APPROVED			REF:	SCALE: NTS	SHEET 1 OF 1