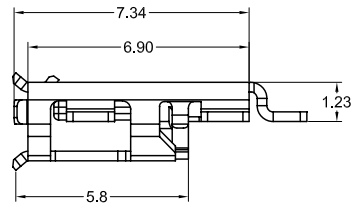
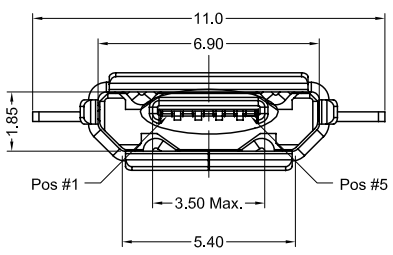
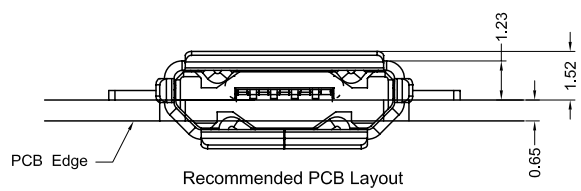
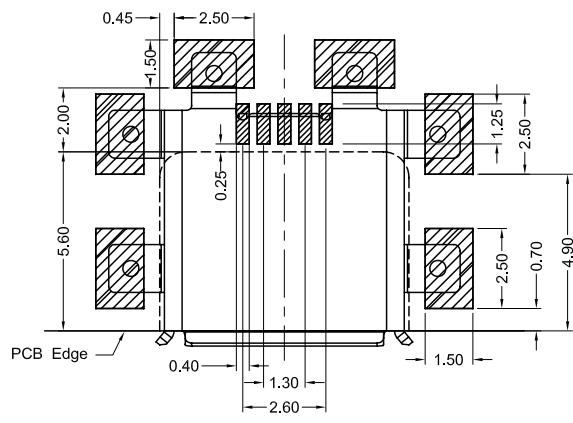
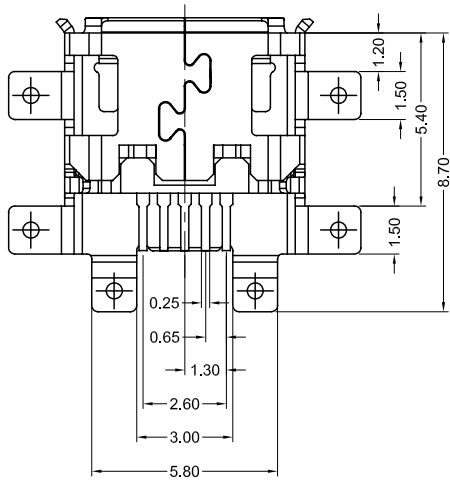
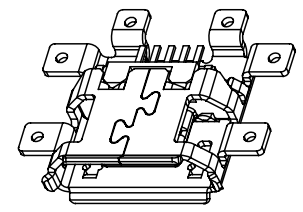


KYCON, Inc. 1810 Little Orchard Street, San Jose, CA 95125 (408)494-0330



**Material and Finish**  
 Housing: High Temp. thermoplastic  
 Color: Black  
 Contact: Copper Alloy, 30u" Gold Plated  
 Shell: Stainless Steel



**PRELIMINARY**  
 PART IN DESIGN  
 SPECIFICATION SUBJECT TO CHANGE

**RoHS COMPLIANT**  
 EU Directive 2002/95/EC

**Tolerances**  
 X.X ± 0.25  
 X.XX ± 0.15  
 Unless Stated  
 Otherwise

| REV. | DATE     | DESCRIPTION | REV. BY | CHK. BY | DRAWN BY | DATE     |
|------|----------|-------------|---------|---------|----------|----------|
| A0   | 03/10/10 | New Drawing | S. Vien | H. MA   | S. Vien  | 02/25/10 |
|      |          |             |         |         |          |          |
|      |          |             |         |         |          |          |

**KMMLX-BSMT5SB-30TR**

Micro USB, B Type, RoHS Compliant  
 Receptacle, Low Profile

