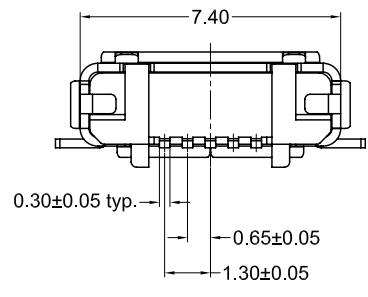
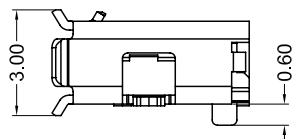
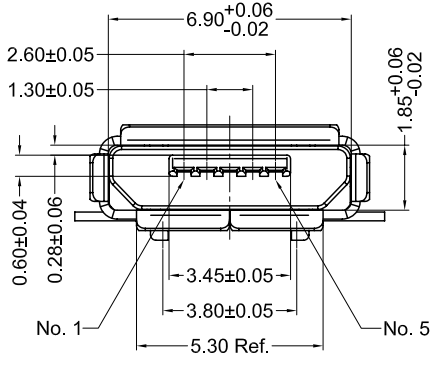
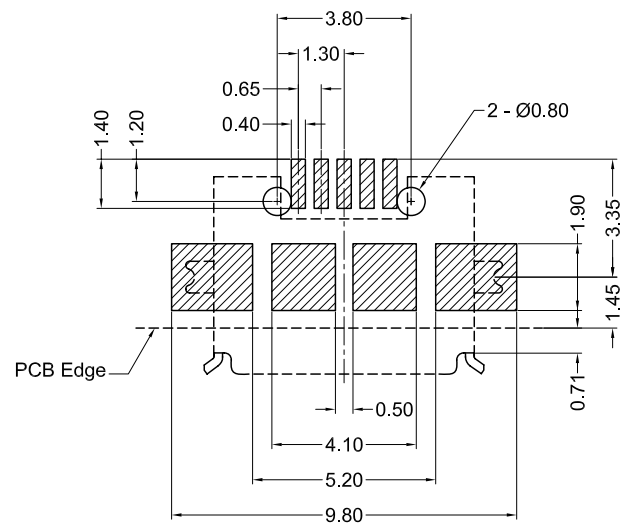
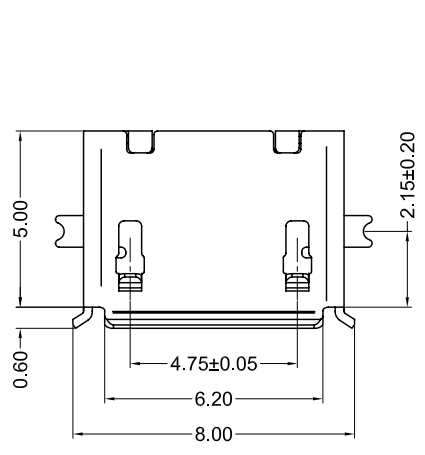


KYCON, Inc. 1810 Little Orchard Street, San Jose, CA 95125 (408)494-0330



Material and Finish

Housing: High Temp. Thermoplastics, color - Gray
 Contacts: copper alloy, 30u" gold plated on entire contact
 Shell: Stainless Steel, Nickel plated

Electrical Specifications

Rated Current: 1.5A Max.
 Rated Voltage: 5V AC (rms Max.)
 Insulation Resistance: 1000 megohms Min.
 Contact Resistance: 30 milliohms max.
 Dielectric Withstanding Voltage: 100V AC
 Operating Temperature: -30°C to +85°C

RoHS COMPLIANT
 EU Directive 2002/95/EC

| Tolerances |
|-------------------------|
| X.X ± 0.25 |
| X.XX ± 0.15 |
| Unless Stated Otherwise |

| REV. | DATE | DESCRIPTION | REV. BY | CHK. BY | DRAWN BY | DATE |
|------|----------|-------------------|--------------|---------|--------------|----------|
| A0 | 10/18/07 | New Drawing | A. Frederick | H. MA | A. Frederick | 08/17/07 |
| A1 | 12/12/07 | Release Drawing | H. MA | N/A | | |
| A2 | 08/18/09 | Add Specification | S. Ven | H. MA | | |

KMMX-ABSMT5SG-30TR

Micro USB, Type -AB, SMT, 30u" Gold
 Gray insulator, RoHS Compliant

