

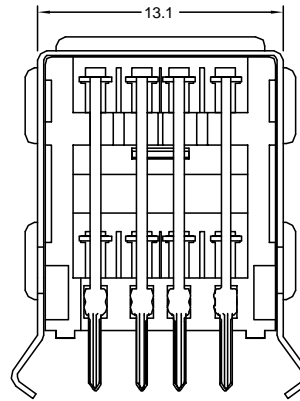
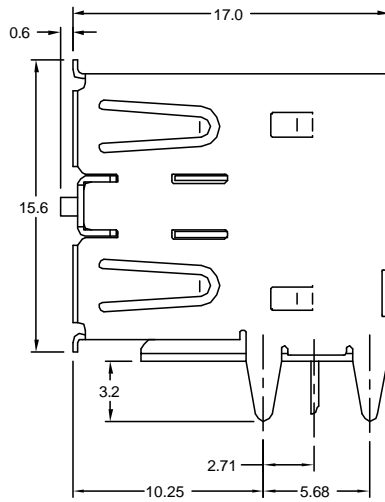
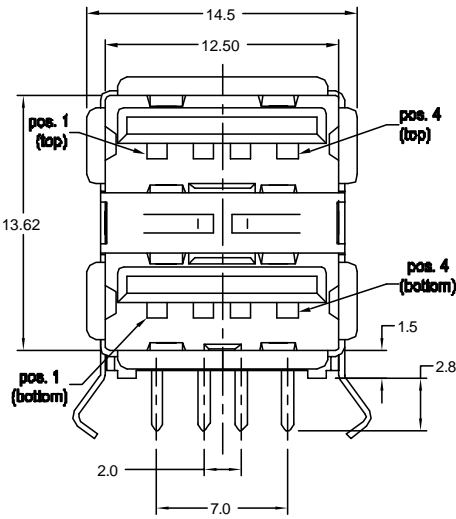
Part Number	Contact Area Plating	Insulator Color
KUSB-AS-2-N-WHT	Gold Flash (standard)	White
KUSB-AS-2-N-WHT-30	30u" Gold (-30 option)	
KUSB-AS-2-N-BLK	Gold Flash (standard)	Black
KUSB-AS-2-N-BLK-30	30u" Gold (-30 option)	

Materials and Finish

Shell: brass, 0.3mm thick, 120u" tin-lead plated over 50u" copper underplate
 Insulator: PBT thermoplastic, UL94V-0 rated, black or white color
 Contact Material: phosphor bronze
 Contact Plating Options:
 Standard: gold flash on contact area, 120u" tin-lead on soldertails, all over 50u" nickel underplate
 -30 Option: 30u" gold on contact area, 120u" tin-lead on soldertails, all over 50u" nickel underplate

Specifications:

Rated Voltage: 30V AC (rms)
 Contact Current Rating: 1A max.
 Contact Resistance: 30 milliohms max.
 Insulation Resistance: 1000 megohms min.
 Dielectric Withstanding: 500V AC
 Insertion Force: 3.57kg max.
 Extraction Force: 1.02kg min.
 Operating Temperature: -25°C to +80°C
 Durability: 1500 mating cycles min.



Tolerances
X.X ± 0.35
X.XX ± 0.25
Unless Stated
Otherwise

REVISION	DATE	DESCRIPTION	DRAWN BY	REV CHECK BY	UNITS
B1	3/30/01	Ref ECD 01-034	C. Leiva	C. Leiva	mm
C1	6/25/02	Ref ECD 02-059	REVISED BY	REV CHECK DATE	DATE
C2	6/24/04	ECD# 04-029	H. MA	6/25/04	9/2/97

KUSB-AS-2-N-xxx

Stacked USB A Type Jack
 Through Hole, Right Angle

