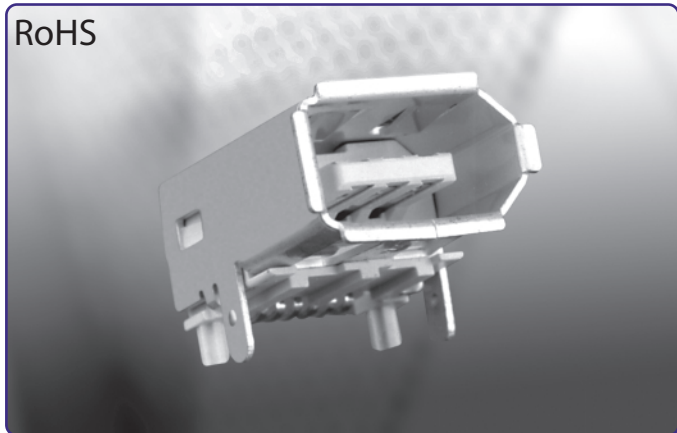


RoHS



KFWSX Series Right Angle Surface Mount IEEE 1394 Socket

Features



- Supports Hot Plugging
- Rated 400 Mbps
- Surface Mount Technology for Electrical Connections
- Lead Plated Solder Tails for Excellent Solderability
- Contact Area with Gold Plating
- CSA/NRTL Certified File No. LR78160

Performance Specifications

Materials and Finish

Shell : Copper Alloy, Nickel Plating

Insulator : High Temperature Thermoplastic, UL94V-0 Rated

Contacts : Copper Alloy

Plating : Standard - 30 μ" Gold over Nickel on Contact Area
Tin Over Nickel on Solderails

Mechanical Characteristics

Durability : 1500 Cycles Min.

Insertion Force : 3.6kg Max.

Extraction Force : 1.0kg Min.

Electrical Characteristics

Voltage Rating : 30V AC

Contact Current Rating : 1RMS Amp DC Max. Per Contact Not To Exceed 30°C Temp. Rise

Dielectric Withstanding Voltage : 500 V AC for 1 Minute

Capacitance : 2pF Max.

Contact Resistance : Less Than 30 Milliohms per Contact Pair After 1500 Mating Cycles

Insulation Resistance : Greater than 100 Megohms

Operating Temperature : -55°C to +85°C

IEEE 1394 CONNECTORS

KFWSX - SMT Series

Documentation & Ordering Information

Kycon Part

Part Number Builder

KFWSX	-	SMT-100	W	-	30
Series		Mounting Option	Insulator Color		Plating Option

Series

KFWSX - Single IEEE 1394 Socket

Mounting option

SMT-100 - Right Angle Surface Mount

Insulator Color

B - Black

W - White

Plating

30 - 30μ" Gold Plating

KFWSX-SMT Series Dimensions

Dimensions in mm

