

DRAWING No.: M701-220442

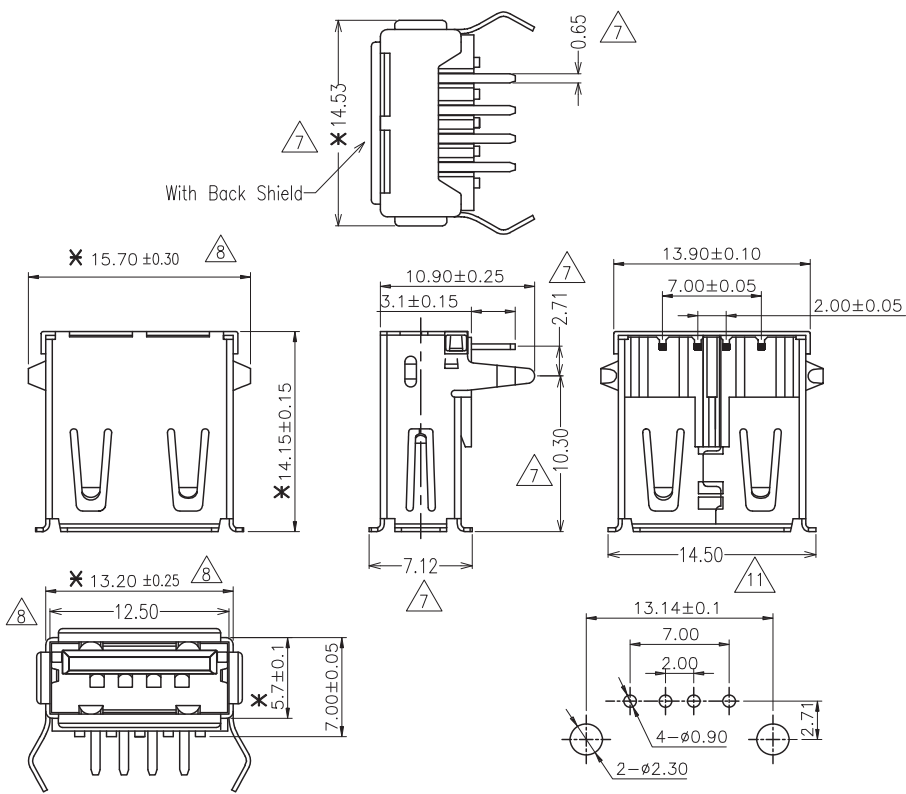
IF IN DOUBT - ASK

Ⓒ

NOT TO SCALE

THIRD ANGLE PROJECTION

ALL DIMENSIONS IN mm



SPECIFICATIONS:

MATERIAL:-

MOULDING: PBT+30%CF, UL94V-0, WHITE  $\triangle 8$

SHELL: BRASS

CONTACT: PHOSPHOR BRONZE

FINISH:-

$\triangle 8$  SHELL: 100u" TIN OVER 40u" NICKEL  
 CONTACT: 2u" GOLD AND 30u" PALLADIUM-NICKEL ON CONTACT,  
 150u" ON SOLDER TAIL OVER 50u" NICKEL

ELECTRICAL:-

CURRENT RATING: 1.5 AMP

WORKING VOLTAGE: 30V AC/DC

WITHSTANDING VOLTAGE: 500V AC/MINUTE

CONTACT RESISTANCE: 30 m $\Omega$  MAX.

INSULATION RESISTANCE: 1000 M $\Omega$  MIN.

ENVIRONMENTAL:-

TEMPERATURE RANGE: -55°C ~ +85°C

NOTES: ALL DIMENSIONS AND NOTES  
 MARKED \* ARE CRITICAL AND  
 MUST BE CHECKED IN ACCORDANCE  
 WITH QUALITY DOC. QI-02A

NAME	ISS.	DATE	C/NOTE
Allan	12	19.11.10	A335
Allan	11	25.03.10	A271
Allan	10	03.02.10	A262
Allan	9	21.01.10	A251
Allan	8	25.09.09	A238

APPROVED:

CHECKED: *Ben*

DRAWN: Allan

CUSTOMER REF.:

ASSEMBLY DRG:

TID 60001573  $\triangle 9$   $\triangle 10$

**HARWIN**

HARWIN USA  
 TEL: 603 893 5376  
 FAX: 603 893 5396  
 mis@harwin.com

HARWIN Europe (UK)  
 TEL: 023 9231 4545  
 FAX: 023 9231 4590  
 mis@harwin.co.uk

HARWIN Asia  
 TEL: +65 6 779 4909  
 FAX: +65 6 779 3868  
 mis@harwin.com.sg

THIS DRAWING AND ANY  
 INFORMATION OR DESCRIPTIVE  
 MATTER SET OUT HEREON ARE  
 CONFIDENTIAL AND COPYRIGHT  
 PROPERTY OF THE HARWIN  
 GROUP AND MUST NOT BE  
 DISCLOSED, LOANED, COPIED,  
 OR USED FOR MANUFACTURING,  
 TENDERING OR FOR ANY  
 OTHER PURPOSE WITHOUT  
 THEIR WRITTEN PERMISSION.

TOLERANCES  
 X. =  $\pm 0.5$ mm  
 X.X =  $\pm 0.38$ mm  
 X.XX =  $\pm 0.25$ mm  
 X.XXX =  $\pm 0.13$ mm  
 ANGLES =  $\pm 5^\circ$   
 UNLESS STATED

MATERIAL: SEE NOTES  
 FINISH: SEE NOTES  
 S/AREA: mm<sup>2</sup>

TITLE: USB 4PIN FEMALE R/A  
 TYPE

DRAWING NUMBER: M701-220442

SHT  
 1  
 OF  
 1