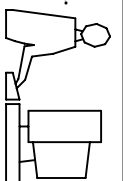
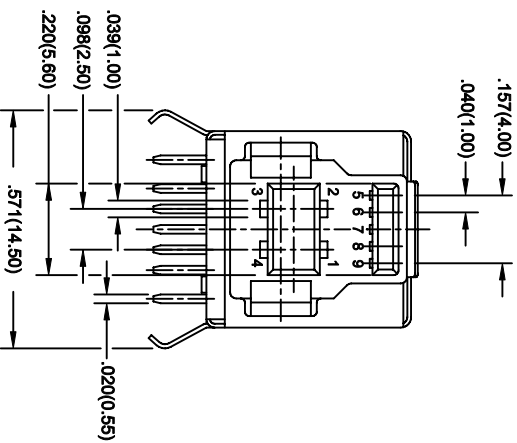
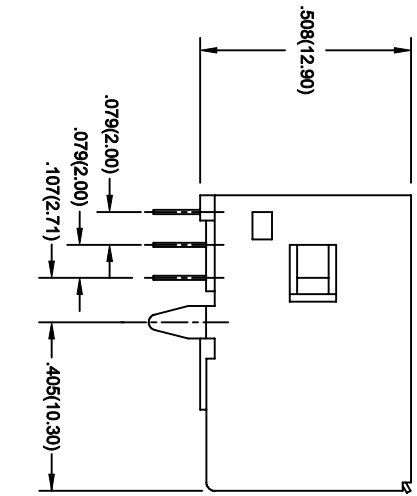
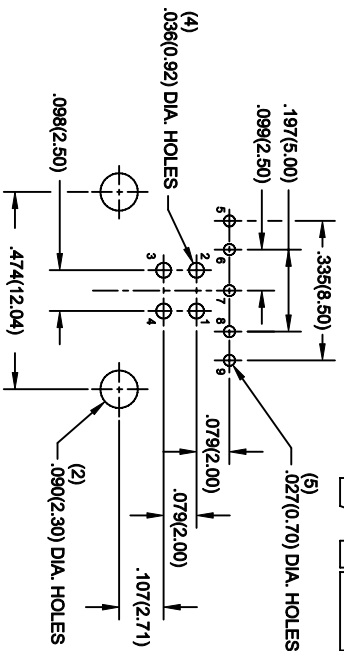
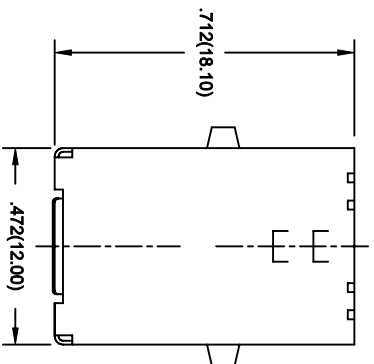


THIS IS A C.A.D. GENERATED DRAWING
DO NOT MAKE MANUAL REVISIONS TO MASTER.



ISSUE NUMBER
ORIGINAL

①



ELECTRICAL SPECIFICATIONS:

CURRENT RATING: 1 AMP, 30VAC
 CONTACT RESISTANCE: 30 MILLIOHMS MAX.
 INSULATION RESISTANCE: 1000 MEGOHMS MIN.
 DWM: 500VAC
 TEMPERATURE RATING: -50°C TO +105°C

MATERIALS:

HOUSING AND COVER: PBT 30%G.F. UL94V-0 COLOR BLACK
 CONTACTS: COPPER ALLOY, GOLD PLATED ON CONTACT AREA
 TIN ON TAILS OVER NICKEL
 SHELL: BRASS, NICKEL PLATED
 COVER SHELL: COPPER ALLOY, NICKEL PLATED

GOLD PLATED PART NUMBERS

690-009-521-900 15 MICRONS OF GOLD
 690-009-621-900 30 MICRONS OF GOLD

THIS SERIES FULLY CONFORMS TO THE
 EUROPEAN UNION DIRECTIVES 2002/95/EC
 AND 2002/96/EC FOR RoHS COMPLIANCY.



USB-B RECEPTACLE 90° DIP, 3.0 VERSION

ACAD REFERENCE NO. 690-009-221-900

DRAWN: F. BRIONES DATE: AUG. 17/09

PART NUMBER

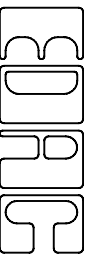
SEE GOLD PLATED P/N

DRAWING NUMBER

690-009-221-900

ISSUE

4



EDAC INC
 TORONTO, ONTARIO
 CANADA

YOUR CONNECTION TO QUALITY & SERVICE

THESE DRAWINGS AND SPECIFICATIONS
 ARE THE PROPERTY OF EDAC INC. AND
 SHALL NOT BE REPRODUCED OR COPIED
 OR USED AS THE BASIS FOR THE
 MANUFACTURE OR SALE OF APPARATUS
 WITHOUT WRITTEN PERMISSION.