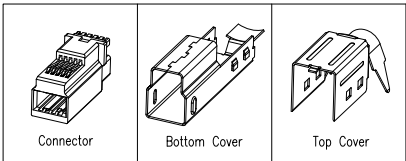
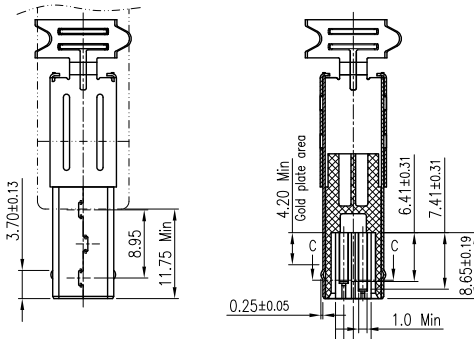


This document is the property of Amphenol Corporation and is delivered on the express condition that it is not to be disclosed, reproduced or used, in whole or in part, for manufacture or sale by anyone other than Amphenol Corporation without its prior consent, and that no right is granted to disclose or to use any information in this document.
The marking on this product doesn't contain environmental hazardous materials per Material Specification SS-00259 for Sony GP compliant or per directive 2002/95/EC for RoHS compliant.

REVISIONS				
SYM	ECN No.	DESCRIPTION	DATE	APPROVED
AX1		NON-RELEASE REVISION	06/18/2010	Roger Tsai

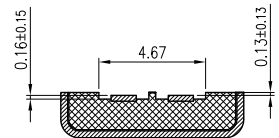
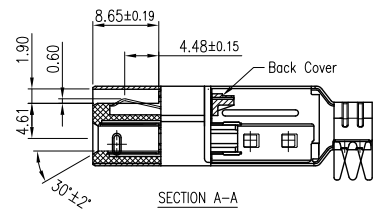
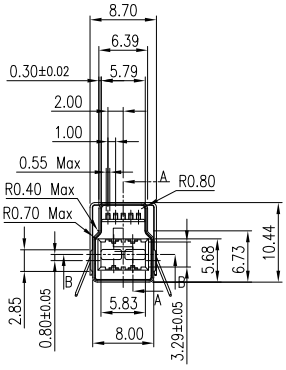
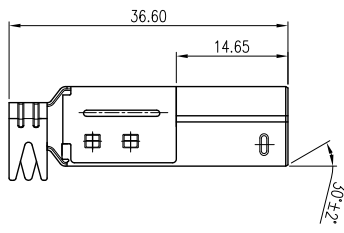


Pin Number	Signal Name
1	VBUS
2	D-
3	D+
4	GND
5	StdB_SSTX-
6	StdB_SSTX+
7	GND-DRAIN
8	StdB_SSRX-
9	StdB_SSRX+



- NOTES:**
- MATERIAL:**
HOUSING: HIGH TEMPERATURE THERMAL PLASTIC, PBT, UL94V-0, COLOR: OPTION.
TERMINAL A (5P): PHOSPHOR BRONZE.
TERMINAL B (4P): BRASS
SHELL: SPCC-CQ1.
 - FINISH:**
TERMINAL A & TERMINAL B:
CONTACT AREA: SELECTED GOLD PLATING;
SOLDERING AREA: TIN PLATING 100 μ" THICKNESS MIN.;
UNDER PLATING: NICKEL PLATING 50 μ" THICKNESS MIN. OVERALL.
SHELL:
NICKEL PLATING 50 μ" THICKNESS MIN. OVERALL.
 - PACKING IS PER AMTA PACKING SPECIFICATION PKS-0001.
 - THIS PRODUCT DOESN'T CONTAIN ENVIRONMENTAL HAZARDOUS PER DIRECTIVE 2002/95/EC FOR ROHS COMPLIANT.

PART NO. GSB3271XXWEU
CONTACT FINISH | COLOR
1: GOLD FLASH | 1: BLUE
2: 5 μ" GOLD | 3: BLACK
3: 30 μ" GOLD



SECTION C-C
SCALE 3:1

TOLERANCE	APPROVALS	DATE	TITLE		PART No.	
X X.X ±0.30 X.XX ±0.20 X.XXX ±0.10	DRAWN Roger Tsai	06/18/2010	USB 3.0 B TYPE PLUG, CABLE MOUNT		Amphenol® Amphenol Corporation Amphenol Taiwan Corporation	
ANGULAR ±1°	CHECKED Aqua Chou	06/18/2010				
UNLESS OTHERWISE SPECIFIED	APPROVED Roger Tsai	06/18/2010	UNIT mm	SIZE A3	PART No. GSB3271XXWEU	
	DWG TYPE CUST DWG	PROJECT CODE OTHER	SCALE NA	SHEET 1 OF 1	DWG No. GSB3271XXWEU	REV AX1