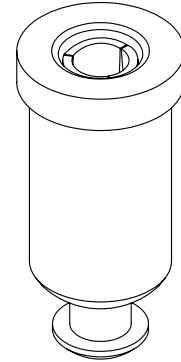
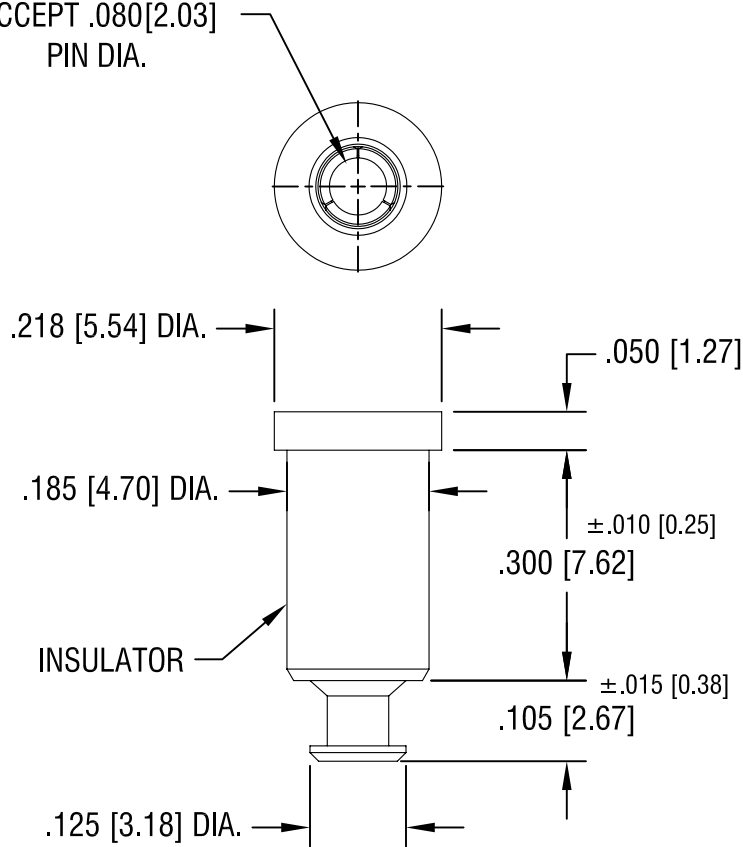


THIS DOCUMENT IS THE PROPERTY OF
KEYSTONE ELECTRONICS CORP. AND
SHALL NOT BE REPRODUCED, DISTRIBUTED
OR USED AS A BASIS FOR MANUFACTURE
WITHOUT PRIOR WRITTEN PERMISSION
FROM KEYSTONE ELECTRONICS CORP.

SPRING CONTACT TO
ACCEPT .080[2.03]
PIN DIA.



PART NO.	COLOR
11005	WHITE
11005-R	RED
11005-B	BLACK

NOTES:

1. TERMINAL JACK : MAT'L - BERYLLIUM COPPER (QQ-C-533)
2. BUSHING: MAT'L - PTFE

KEYSTONE ELECTRONICS CORP.			
ASTORIA, N.Y. 11105-2017			
PART NAME PTFE INSULATED TEST JACK			
MATERIAL AS NOTED			
FINISH GOLD PLATE		DRN BY N.T.	DATE 7.10.07
		APP'D	SCALE 4X
11.17.08	CHANGE AS PER ECN 08-177	A	
DATE	DESCRIPTION	REV.	
TOLERANCES INCH [MM] DECIMAL ±.005 [±0.15] ANGULAR ± 1° UNLESS OTHERWISE SPECIFIED		CODE C/M	DWG NO. 11005-