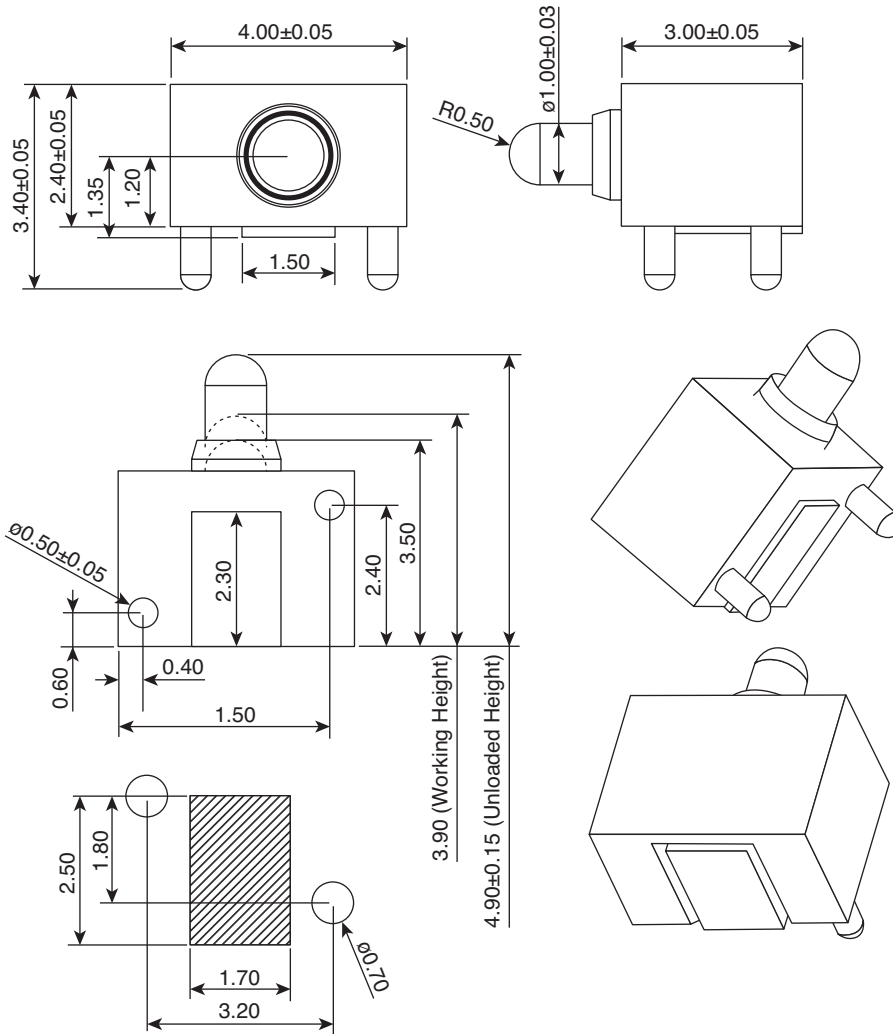


# Pogo Pin 1-Pos., 4.0x2.4x3.0mm

383-3M0H01



Pogo Pin 1-Pos., 4.0x2.4x3.0mm



RECOMMENDED PCB LAYOUT

Dimensions: mm

Specifications	
<b>Material</b>	
Housing	Black HTN (UL94V-0)
Plunger & Barrel	Brass 3604
Spring	SUS 304
<b>Plating:</b>	
Contact Surface	10μ minimum Au over 50~100 μ Ni
<b>Electrical</b>	
Rated Current & Voltage	DC12V, 1A
Contact Resistance	50 mΩ maximum at working height
<b>Mechanical</b>	
Unloaded Height	4.90mm
Working Height	3.90mm
Spring Force	120g ± 20% at working height
Durability	10,000 cycles (minimum)

Date Last Revised: 4/9/09

Available from Mouser Electronics  
1-800-346-6873 / www.mouser.com

KC-301348

383-3M0H01

Specifications are subject to change without notice. No liability or warranty implied by this information. Environmental compliance based on producer documentation.