

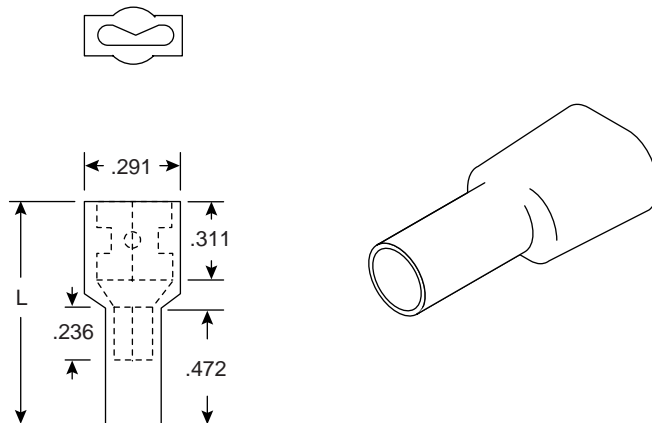
Terminals

159-3250

159-7250



Terminals



DIMENSIONS (IN.)

SPECIFICATIONS	
Maximum Electric Rating:	105°C 300 volts
Terminal Material:	Brass
Thickness:	.017 (0.45mm)
Insulation Material:	Nylon

Mouser Stock No.	Wire Range		Nema Tab (In.)	L (In.)	Insulated Color
	AWG	mm ²			
159-3250	22-16	1.25	.032x250	.913	Red
159-7250	16-14	2	.032x250	.866	Blue

Date Last Revised: 4-07-04

Available from Mouser Electronics
 1-800-346-6873
 www.mouser.com

KC-300024

159-3250, 159-7250