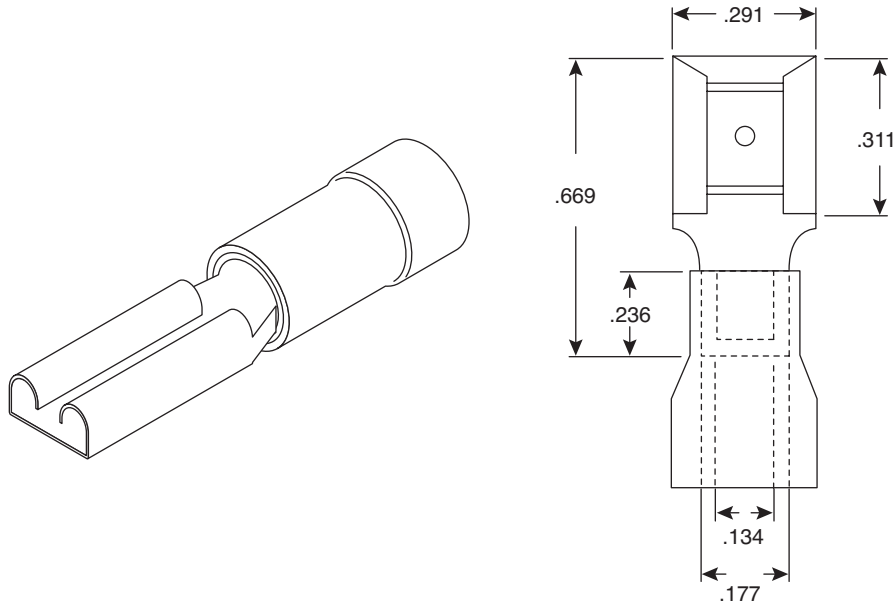


Vinyl Disconnect

159-1209



Vinyl Disconnect



Dimensions: In.

SPECIFICATIONS	
Type:	insulated female disconnect
Wire size:	12 - 10AWG (5.5mm ²)
Electric current:	24A max.
Electric rating:	75°C 300V max.
Insulation color:	yellow
Terminal material:	brass
Insulation material:	vinyl
Double crimp:	sleeve on barrel
Nema tab:	.032 x .250 inches
Material thickness:	.016 inches

Date Last Revised: 10-18-05

Available from Mouser Electronics
1-800-346-6873
www.mouser.com

KC-300738

159-1209