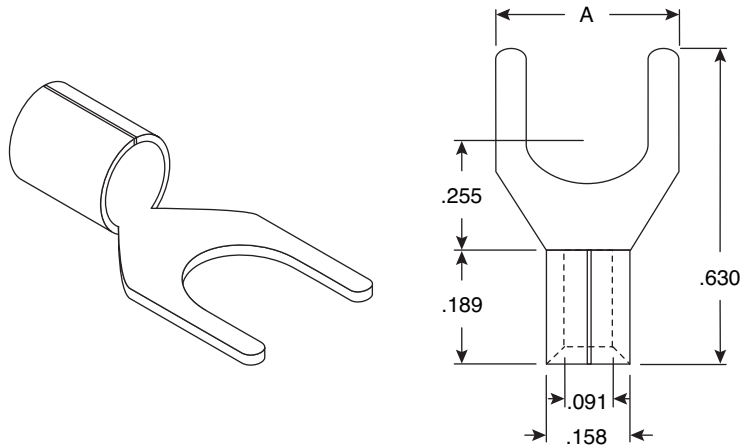


Spade Terminals

159-1635, 159-1637, 159-1639



Spade Terminals



Dimensions: In.

SPECIFICATIONS	
Type:	Non-Insulated Spade
Wire Range:	16~14AWG
Current:	27A max.
Material:	Copper
Thickness:	.032"
Seam:	Brazed

MOUSER STOCK NO.	Stud Size	Dim. A (In.)
159-1635	#6	.236
159-1637	#8	.283
159-1639	#10	.374

Date Last Revised: 06-23-05

Available from Mouser Electronics
1-800-346-6873
www.mouser.com

KC-300720

159-1635, 159-1637, 159-1639