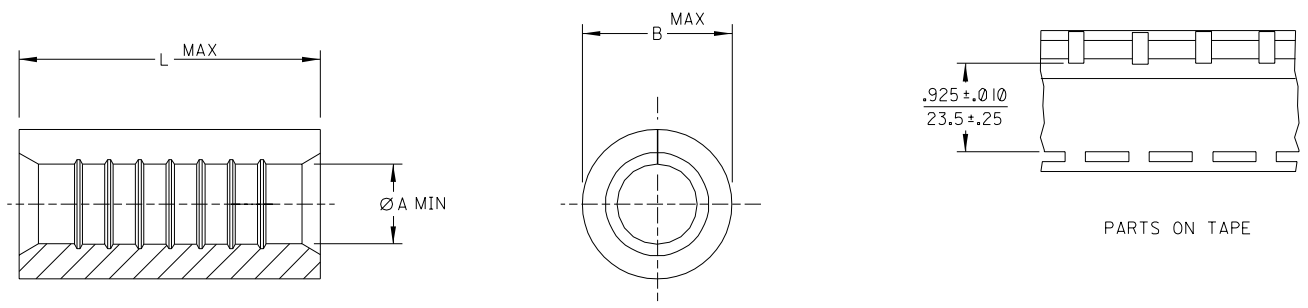


SD-19215-002

10	9	8	7	6
MATERIAL NUMBER	ALTERNATE NUMBER	"L" MAX	"A" MIN.	"B" MAX
192080001	B-104	.340 (8.60)	.084 (2.10)	.165 (4.20)
192080002	C-103	.330 (8.40)	.128 (3.30)	.230 (5.80)
192080003	C-103T	.330 (8.40)	.128 (3.30)	.230 (5.80)
				PACKAGING
				LOOSE PIECE
				TAPE MOUNTED



PARTS ON TAPE

SALES DRAWING

NOTES:  
 1. MATERIAL: COPPER.  
 2. PLATING: ELECTRO-TIN.  
 3. ALL DIMENSIONS IN INCHES/(MM).

NEW RELEASE EC NO. ETC2002-0225 DRAWN BY: BRE 02/01/30 CHK: HEB 02/01/30 APPR: RWD 02/01/30	QUALITY SYMBOLS MAJOR $\nabla = 0$ CRITICAL $\nabla C = 0$	GENERAL TOLERANCES: (UNLESS SPECIFIED)		SCALE: <input type="checkbox"/> mm <input checked="" type="checkbox"/> INCH	DESIGN UNITS: <input type="checkbox"/> mm <input checked="" type="checkbox"/> INCH	THIRD ANGLE PROJECTION <input type="checkbox"/> mm <input checked="" type="checkbox"/> INCH DIMENSIONS: <input type="checkbox"/> mm <input checked="" type="checkbox"/> INCH mm ONLY	SHT REV REVISE ON CAD ONLY
		4 PLACES $\pm 0.$	$\pm .$	DRAWN BY & DATE BRE 02/01/30			
		3 PLACES $\pm 0.$	$\pm .$	CHECKED BY & DATE HEB 02/01/30			
		2 PLACES $\pm 0.13$	$\pm .005$	APPROVED BY & DATE RWD 02/01/30			
1 PLACE $\pm 0.25$	$\pm .01$	ANGULAR: 1/2		CAD FILENAME SD-19208-002 .DWG		MATERIAL NO. DRAWING NO. SHEET NO. SEE CHART SD-19208-002	
DRAFT WHERE APPLICABLE MUST REMAIN WITHIN DIMENSIONS		THIS DRAWING CONTAINS INFORMATION THAT IS PROPRIETARY TO MOLEX INCORPORATED AND SHOULD NOT BE USED WITHOUT WRITTEN PERMISSION.					

LBORD.DGN REV A 96/06/12 LEVEL 4