

7.001

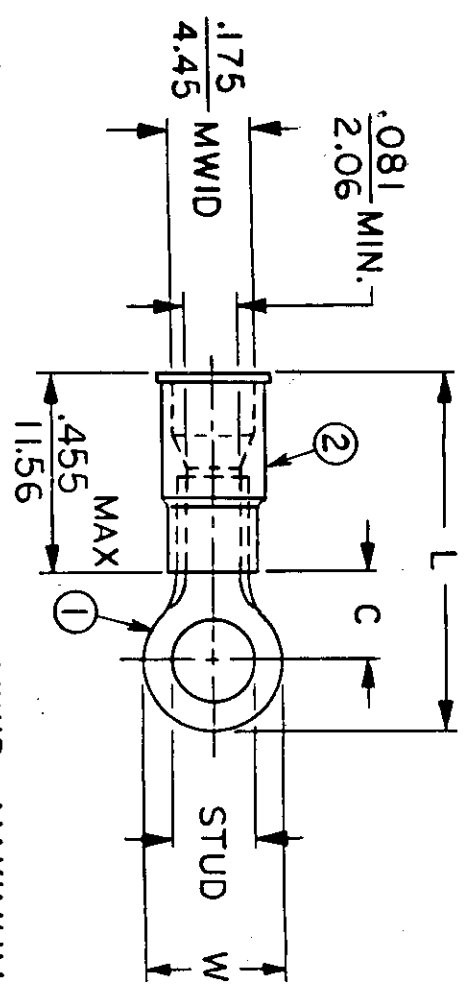
- NOTES:
- ① MAT'L: COPPER (STOCK TKN.  $\frac{.031}{.79}$ )
  - PLATING: ELECTRO-TIN (.0003 MIN.)
  - ② INSULATION: MOLDED PVC (BLUE)

STUD SIZES: ( $\pm .005$ )

- 02 = .094
- 04 = .119
- 06 = .146
- 08 = .173
- 10 = .198
- 14 = .265
- 56 = .328
- 38 = .390

"UL" LISTING #E32244  
 "CSA" LISTING #18689

ALL DIMENSIONS =  $\frac{\text{INCHES}}{\text{MM}}$



MWID = MAXIMUM WIRE  
 INSULATION DIAMETER  
 WIRE SIZE: 16-14 AWG  
 1.0-2.5 MM<sup>2</sup>

PART NUMBER	"W" ±.010	"C" MIN.	"L" MAX.	SCALE:	NTS	DATE	TITLE:	DWG. NO.	
								DRWN. BY:	CHKD. BY:
B-218-	$\frac{.534}{13.56}$	$\frac{.554}{14.07}$	$\frac{1.311}{33.30}$				RING TONGUE TERMINAL INSULKRIMP 200 SERIES		
B-223-	$\frac{.250}{6.35}$	$\frac{.209}{5.31}$	$\frac{.835}{21.21}$						
B-225-	$\frac{.467}{11.86}$	$\frac{.388}{9.86}$	$\frac{1.112}{28.24}$						
B-237-	$\frac{.312}{7.92}$	$\frac{.285}{7.24}$	$\frac{.926}{23.52}$						
B-239-	$\frac{.342}{8.69}$	$\frac{.310}{7.87}$	$\frac{.971}{24.66}$						
DIMENSIONAL TOLERANCES UNLESS OTHERWISE SPECIFIED		REFERENCE		SCALE:		TITLE:			
FRAC.		DEC.		ANG.		DRAWN. BY:		10-25-84	
±		±		±		CHKD. BY:		GZ	
						APPRD. BY:			

