

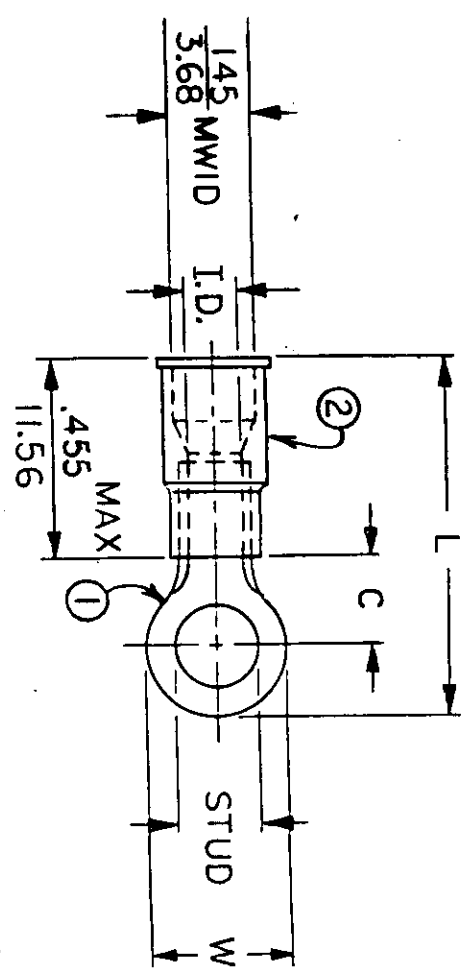
- NOTES:**
- ① MAT'L: COPPER
  - PLATING: ELECTRO-TIN (.0003 MIN.)
  - ② INSULATION: MOLDED PVC (RED)

STUD SIZES: ( $\pm$ .005)

- 02 = .094
- 04 = .119
- 06 = .146
- 08 = .173
- 10 = .198
- 14 = .265
- 56 = .328
- 38 = .390

"UL" LISTING #E32244  
 "CSA" LISTING #18689

ALL DIMENSIONS = INCHES  
M M



MWID = MAXIMUM WIRE  
 INSULATION DIAMETER  
 WIRE SIZE: 22-18 AWG  
 .25-1.5 MM<sup>2</sup>

PART NUMBER	"W" ±.010	"C" MIN.	"L" MAX.	"ID" MIN.	AVAILABLE STUD SIZES	STOCK THICKNESS	DIMENSIONAL TOLERANCES UNLESS OTHERWISE SPECIFIED	
							FRAC.	DEC.
A-220-	.225 5.71	.157 3.99	.759 19.28	.062 1.57	02X, 04X, 06X	.028 <sup>+0.001</sup> -.000	±	±
A-221-	.312 7.92	.270 6.86	.946 23.26	.062 1.57	06X, 08X, 10X	.028 <sup>+0.001</sup> -.000	±	±
A-222-	.467 11.86	.386 9.80	1.110 28.19	.062 1.57	10X, 14X, 56X	.031 <sup>+0.001</sup> -.001	±	±
A-226-	.534 13.56	.552 14.02	1.309 33.25	.054 1.37	10X, 14X, 56X, 38X	.028 <sup>+0.001</sup> -.000	±	±
A-232-	.254 6.45	.240 6.10	.857 21.77	.062 1.57	04X, 06X, 08X	.028 <sup>+0.001</sup> -.000	±	±



TITLE:  
 RING TONGUE  
 TERMINAL  
 INSULKRIMP  
 200-SERIES

DWG. NO. A CUSTOMER DWG.

SCALE: NTS  
 DATE: 10-23-84

CHKD. BY: GZ  
 APPR. BY:

SCALE: NTS  
 DATE: 10-23-84

CHKD. BY: GZ  
 APPR. BY:

SCALE: NTS  
 DATE: 10-23-84

CHKD. BY: GZ  
 APPR. BY: