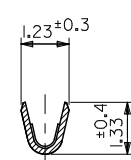
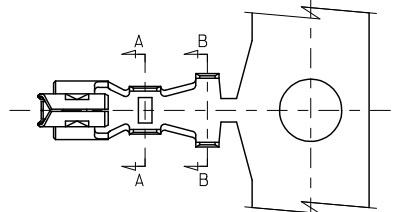


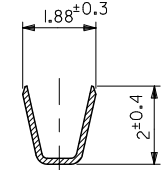
10 9 8 7 6 5 4 3 2 1

注記

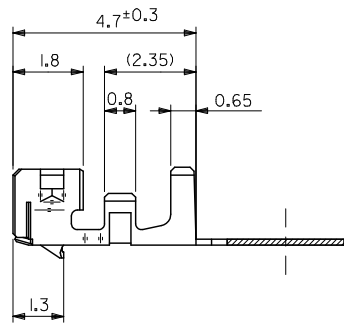
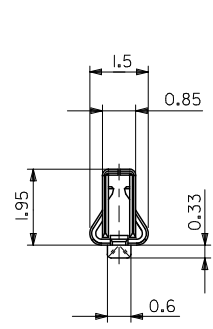
- 適用ハウジング: 51065-**00
APPLICABLE HOUSING 51089-**05
51090-**00
- 材質:
MATERIAL
リン青銅
PHOSPHOR BRONZE
錫メッキ
PRE-TINNED
t=0.152



SECT. A-A



SECT. B-B



50212-8100	バラ状
50212-8000	連鎖状
MATERIAL NO.	端子形状

通用電線範囲 WIRE RANGE	AWG #24~#30
被覆外径 INS RANGE	φ1.4MAX.

REVISED IEC NO: J2009-2125 DRAWN: C. ARIZONO 2009/03/19 CHECKED: T. HARUYAMA 2009/04/07 APPROVED: N. UKIITA 2009/04/08 DESCRIPTION D REV	GENERAL TOLERANCES (UNLESS SPECIFIED)		DIMENSION STYLE MM ONLY	SCALE 10:1	DESIGN UNITS METRIC	THIRD ANGLE PROJECTION
	10 UNDER	±0.2	DRAWN BY C. ARIZONO	DATE 09/03/19	TITLE NEW 2.0 WIRE TO BOARD CONN. CRIMP RECEPTACLE	
	10 OVER 30 UNDER	±0.25	CHECKED BY T. HARUYAMA	DATE 09/03/19	MOLEX INCORPORATED	
	30 OVER	±0.3	APPROVED BY N. UKIITA	DATE 09/03/19	DOCUMENT NO. SD-50212-001	SHEET NO. 1 OF 1
ANGULAR ±3°			MATERIAL NO. SEE CHART	THIS DRAWING CONTAINS INFORMATION THAT IS PROPRIETARY TO MOLEX INCORPORATED AND SHOULD NOT BE USED WITHOUT WRITTEN PERMISSION		
DRAFT WHERE APPLICABLE MUST REMAIN WITHIN DIMENSIONS			SIZE A3			