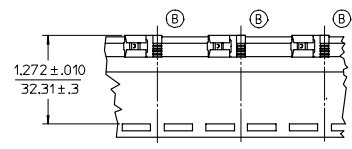
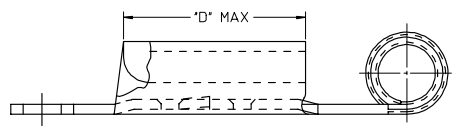
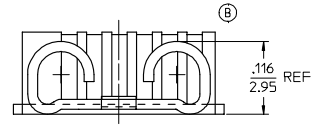
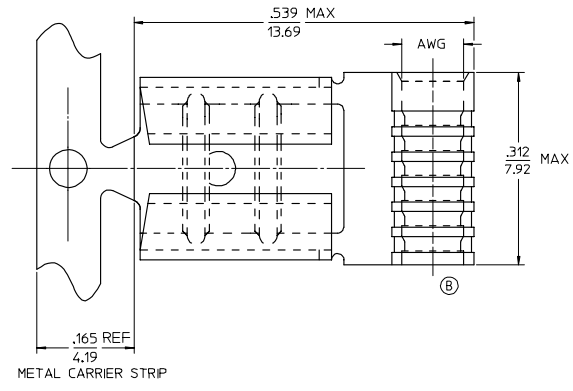


MATERIAL NUMBER ON STRIP	ENGINEERING NUMBER ON STRIP	MATERIAL NUMBER LOOSE PIECE	ENGINEERING NUMBER LOOSE PIECE	TAPE MATERIAL NUMBER	TAPE ENGINEERING NUMBER	AWG	TAB SIZE	D MAX
190080008	AAZ-1147	190080001	AA-1147	190080004	AA-1147T	22-18	.187 X .020	.257/6.53
190080009	AAZ-1147-032	190080002	AA-1147-032	190080003	AA-1147-032T	22-18	.187 X .032	.257/6.53
190080013	AAZ-1158	190080006	AA-1158	190080007	AA-1158T	22-18	.250 X .032	.312/7.92
190080028	BBZ-1148	190080019	BB-1148	190080022	BB-1148T	16-14	.187 X .020	.257/6.53
190080029	BBZ-1148-032	190080020	BB-1148-032	190080021	BB-1148-032T	16-14	.187 X .032	.257/6.53
190080031	BBZ-1159	190080024	BB-1159	190080027	BB-1159T	16-14	.250 X .032	.312/7.92



PARTS ON TAPE



SALES DRAWING

- NOTES:
- MATERIAL: BRASS .016/0.04 THICK. PLATING ELECTRO-TIN.
 - TAB SIZE SEE CHART.
 - WIRE AWG SEE CHART.
 - PART IS ROHS COMPLIANT.

REVISED BARREL & CHART EC NO. ETC2007-0001 DRAWN BY ZORR/07/13 CHKD:JIMONEIL 2006/07/17 APPR:DEROSS 2006/07/17	QUALITY SYMBOLS	GENERAL TOLERANCES (UNLESS SPECIFIED)	DIMENSION STYLE IN/MM	SCALE NONE	DESIGN UNITS INCH	THIRD ANGLE PROJECTION
	▽=0	4 PLACES ± --- ± ---	DRAWN BY BENDERLE	DATE 2005/01/25	TITLE FLAG QD	
	▽=0	3 PLACES ± --- ± .005	CHECKED BY R DEROSS	DATE 2005/01/25	22-18 AWG & 16-14 AWG	
	▽=0	2 PLACES ± .13 ± .01	APPROVED BY R DEROSS	DATE 2005/01/25	.187X.020&.032.250X.032	
REV	DESCRIPTION	ANGULAR ±1/2°	MATERIAL NO. SEE CHART	DOCUMENT NO. SD-19008-013	SHEET NO. 1 OF 1	
DRAFT WHERE APPLICABLE MUST REMAIN WITHIN DIMENSIONS			THIS DRAWING CONTAINS INFORMATION THAT IS PROPRIETARY TO MOLEX INCORPORATED AND SHOULD NOT BE USED WITHOUT WRITTEN PERMISSION			