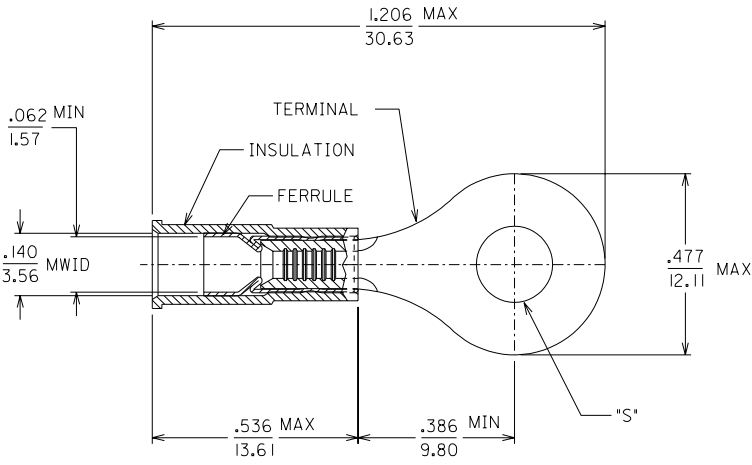
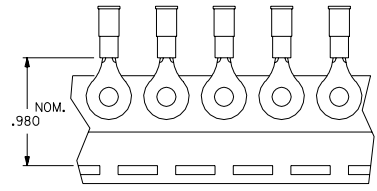


MATERIAL NUMBER	ALTERNATE NUMBER	"S"	WIRE RANGE	COLOR	PACKAGING
I90570013	A-522-10	.198/5.02	22-18 AWG	RED	LOOSE PIECE
I90570015	A-522-14	.265/6.73	22-18 AWG	RED	
I90570017	A-522-56	.328/8.33	22-18 AWG	RED	
I90570014	A-522-10T	.198/5.02	22-18 AWG	RED	TAPE
I90570016	A-522-14T	.265/6.73	22-18 AWG	RED	
I90570018	A-522-56T	.328/8.33	22-18 AWG	RED	



- MATERIAL: TERMINAL: COPPER
.028/.711 THICK.
FUNNEL FERRULE: BRASS
PLATING: ELECTRO TIN
INSULATION: NYLON 6/6
COLOR: SEE CHART
- MWID = MAXIMUM WIRE INSULATION DIAMETER
- ALL DIMENSIONS = INCHES / MM

CUSTOMER DRAWING

A	NEW CUST. DWG. ETC2001-0288 01/03/23 EDB
LTR.	REVISIONS

DIMENSIONS SHOWN (METRIC) INCH UNLESS OTHERWISE SPECIFIED TOLERANCES: ANGULAR ± 1/2°		REVISE ONLY ON CAD SYSTEM	
3 PLACE ± .005 ± ---	INCH	TITLE RING TONGUE TERMINAL AVIKRIMP 500 SERIES	
2 PLACE ± .01 ± 0.13	METRIC	SHEET NO. DATE 1 OF 1 01/03/23	
1 PLACE ± --- ± 0.25		PART NO. DRAWG. NO. SD-19057-003	
DRAFT WHERE APPLICABLE MUST REMAIN WITHIN DIMENSIONS		SEE TABLE	
DRWG. BY: EDB	CHK'D. BY: HEB	FILE NAME: SD19057003	THIS DRAWING CONTAINS INFORMATION THAT IS PROPRIETARY TO MOLEX-ETC INC. AND SHOULD NOT BE USED WITHOUT WRITTEN PERMISSION.
APP'D. BY: RWD	SCALE: NO:NE	DDN	DIV. SIZE: ET B