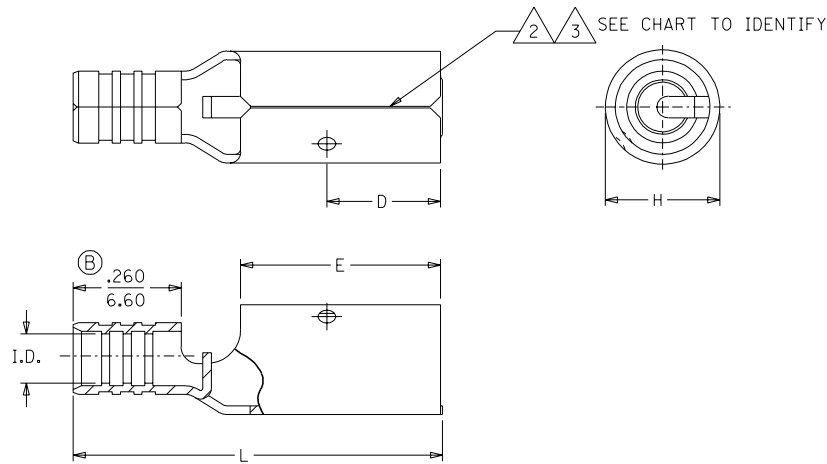


MATERIAL NUMBER	ENGINEERING NUMBER	WIRE RANGE AWG	RANGE MM ²	FITS MALE PLUG DIA.	"L" MAX.	I.D. MIN.	"D" ±.01	H ±.01	"E" NOM.
190370002	AA-1121	22-18	0.25-1.3	.156/(3.96)	.63/(16.0)	.066/(1.68)	.125/(3.18)	.19/(4.8)	.31/(7.88)
190370015	AA-1120	22-18	0.25-1.3	.180/(4.57)	.69/(17.53)	.066/(1.68)	.210/(5.33)	.21/(5.3)	.37/(9.40)
190370004	BB-1122	16-14	1.0-2.6	.156/(3.96)	.63/(16.0)	.089/(2.26)	.125/(3.18)	.19/(4.8)	.31/(7.88)
190370006	BB-1123	16-14	1.0-2.6	.180/(4.57)	.69/(17.53)	.089/(2.26)	.210/(5.33)	.21/(5.3)	.37/(9.40)

ⓑ



NOTES;

ⓑ 1. MATERIAL: .016/0.41 BRASS
FINISH: ELECTRO-TIN PLATING

2 SEAM IS FULLY CLOSED.

3 SEAM HAS A .010 GAP NOMINAL.

DEL TAPE NO: 03/05/08 EC NO: E12003-0201 DRW: BRE CHK: HEB APPR: RWD REV B	QUALITY SYMBOLS MAJOR = 0 CRITICAL = 0 C = 0	GENERAL TOLERANCES: (UNLESS SPECIFIED) mm INCH		SCALE NO: NE DRAWN BY & DATE BRE 02/08/12	DESIGN UNITS <input type="checkbox"/> mm <input checked="" type="checkbox"/> INCH	THIRD ANGLE PROJECTION <input type="checkbox"/> mm <input checked="" type="checkbox"/> INCH	DIMENSIONS: <input type="checkbox"/> mm <input checked="" type="checkbox"/> INCH	SHT REV REVISE ON CAD ONLY		
		4 PLACES ±0. ±. 3 PLACES ±0. ±.01 2 PLACES ±0.3 ±.01 1 PLACE ±0. ±.	CHECKED BY & DATE HEB 02/08/12	TITLE: KRIMPTITE FEMALE BULLET RECEPTACLE		MOLEX INCORPORATED		MATERIAL NO. SEE CHART DRAWING NO. SD-19037-002 SHEET NO. 1 OF 1 SIZE B		
		ANGULARS ± 1/2 °		APPROVED BY & DATE RWD 02/08/12	CAD FILENAME SD-19037-002 .DGN		THIS DRAWING CONTAINS INFORMATION THAT IS PROPRIETARY TO MOLEX INCORPORATED AND SHOULD NOT BE USED WITHOUT WRITTEN PERMISSION.		DRAFT WHERE APPLICABLE MUST REMAIN WITHIN DIMENSIONS	
		DRAFT WHERE APPLICABLE MUST REMAIN WITHIN DIMENSIONS								