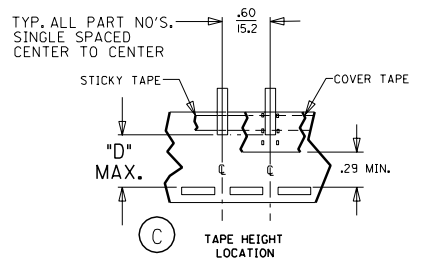
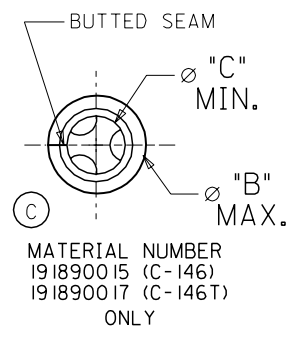
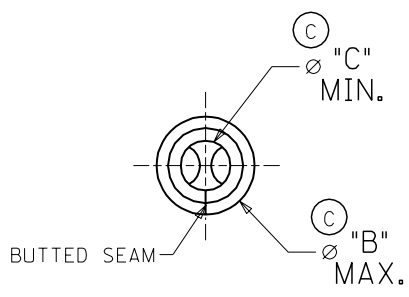
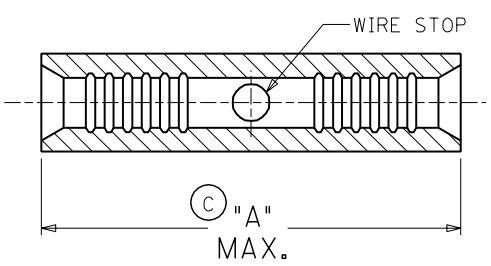


MATERIAL NO.	ENG. NO.	WIRE AWG MARKING	DESCRIPTION	DIM. "A"	DIM. "B" OD	DIM. "C" ID	DIM. "D"
191890002	A-145	22-18	LOOSE PIECE	.580 (14.70)	.131 (3.33)	.055 (1.40)	-----
191890008	B-131	16-14	LOOSE PIECE	.580 (14.70)	.163 (4.14)	.078 (1.98)	-----
191890015	C-146	12-10	LOOSE PIECE	.585 (14.90)	.225 (5.71)	.124 (3.15)	-----
191890004	A-145T	22-18	TAPE MOUNTED	.580 (14.70)	.131 (3.33)	.055 (1.40)	.610 (15.49)
191890010	B-131T	16-14	TAPE MOUNTED	.580 (14.70)	.163 (4.14)	.078 (1.98)	.655 (16.64)
191890017	C-146T	12-10	TAPE MOUNTED	.585 (14.90)	.225 (5.71)	.124 (3.15)	.655 (16.64)



(C)



NOTE(S):
1. MATERIAL: COPPER
2. PLATING: ELECTRO-TIN

WIRE SIZE: 22-18 AWG.
0.25-1.3 MM²

WIRE SIZE: 16-14 AWG.
1.0-2.6 MM²

WIRE SIZE: 12-10 AWG.
4.0-6.0 MM²

SALES DRAWING

DIM. CHANGES & UPDATES EC NO. ETC2003-0167 DRWN: DLM 03/01/24 CHK: SB 03/01/24 APPR: RWD 03/01/24	QUALITY SYMBOLS MAJOR $\nabla = \emptyset$ CRITICAL $\nabla / C = \emptyset$	GENERAL TOLERANCES: (UNLESS SPECIFIED)		SCALE 5:1	DESIGN UNITS <input type="checkbox"/> mm <input checked="" type="checkbox"/> INCH	THIRD ANGLE PROJECTION	DIMENSIONS: <input type="checkbox"/> mm <input checked="" type="checkbox"/> INCH <input type="checkbox"/> mm ONLY	SHT	REV	
		4 PLACES	$\pm 0.----$	$\pm .----$	DRAWN BY & DATE DLM 03/01/24		TITLE: BUTT CONNECTOR KRIMPTITE			
		3 PLACES	$\pm 0.----$	$\pm .----$	CHECKED BY & DATE SB 03/01/24		22-18, 16-14, & 12-10 AWG			
		2 PLACES	$\pm 0.----$	$\pm .----$	APPROVED BY & DATE RWD 03/01/24		MOLEX INCORPORATED			
1 PLACE	$\pm 0.----$	$\pm .----$	ANGULAR: $\pm \quad \circ$		CAD FILENAME	MATERIAL NO.	DRAWING NO.	SHEET NO.		
DRAFT WHERE APPLICABLE MUST REMAIN WITHIN DIMENSIONS			THIS DRAWING CONTAINS INFORMATION THAT IS PROPRIETARY TO MOLEX INCORPORATED AND SHOULD NOT BE USED WITHOUT WRITTEN PERMISSION.			SD19189008.DGN (SEE CHART)		SD-19189-008	1 OF 1	SIZE A