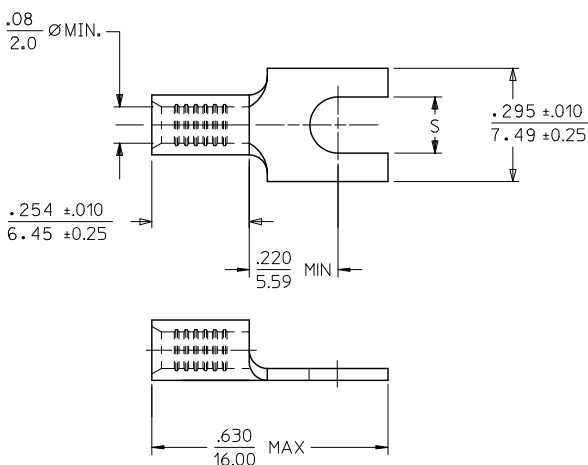


MATERIAL NUMBER	ENGINEERING NUMBER	STUD SIZE	"S" ±.005/(0.13)	PACKAGING
191280021	B-1781-06	6	.146/(3.71)	LOOSE PIECE
191280023	B-1781-08	8	.173/(4.39)	
191280025	B-1781-10	10	.198/(5.03)	



SALES DRAWING

- NOTES:  
 1. MATERIAL: COPPER .031/(0.79) THICK.  
 2. PLATING: TIN  
 3. INSULATION: NONE  
 4. PARTS ARE ROHS COMPLIANT.

RELEASE SD EC NO: WNAZ009-0593 DRAWN: ETHRODAHL 2009/03/16 CHKD: JMACNEIL 2009/03/20 APPR: JMACNEIL 2009/03/20	QUALITY SYMBOLS ▽=0 ▽=0	GENERAL TOLERANCES (UNLESS SPECIFIED)		DIMENSION STYLE IN/MM	SCALE 4:1	DESIGN UNITS INCH	THIRD ANGLE PROJECTION		
		4 PLACES ± --- ± ---	3 PLACES ± --- ± .005	2 PLACES ± 0.13 ± ---	1 PLACE ± --- ± ---	DRAWN BY ETHRODAHL	DATE 2009/03/16	TITLE BLOCK SPADE KRIMPTITE LONG BARREL 16-14 AWG	
		ANGULAR ± --- °				CHECKED BY JMACNEIL	DATE 2009/03/16	MOLEX INCORPORATED	
		DRAFT WHERE APPLICABLE MUST REMAIN WITHIN DIMENSIONS				APPROVED BY JMACNEIL	DATE 2009/03/16	MATERIAL NO. SEE CHART	DOCUMENT NO. SD-19128-001
REV A	DESCRIPTION			SIZE B	THIS DRAWING CONTAINS INFORMATION THAT IS PROPRIETARY TO MOLEX INCORPORATED AND SHOULD NOT BE USED WITHOUT WRITTEN PERMISSION			SHEET NO. 1 OF 1	