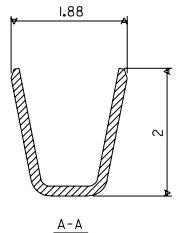
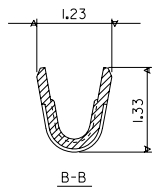
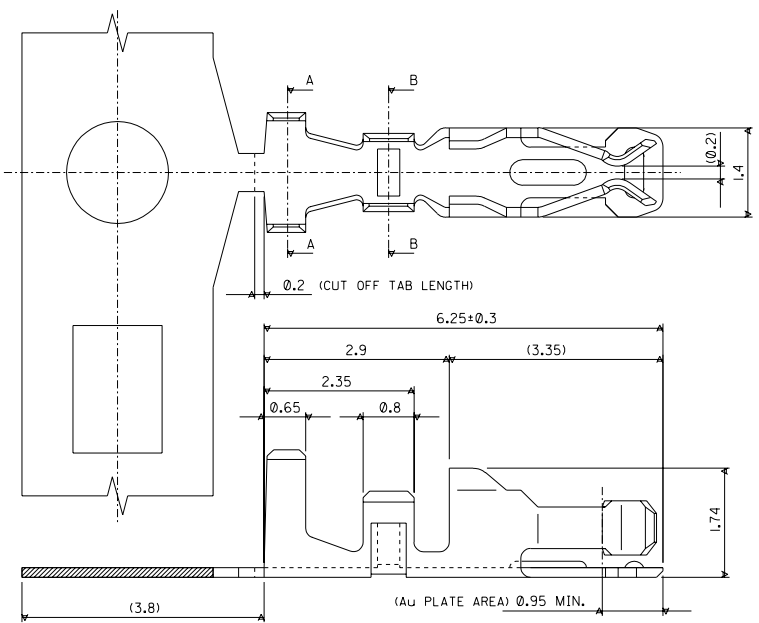


DWG. NO. SD 50394-8051
 CAD FILE S50394T1.DGN

DO NOT SCALE DRAWING

8 7 6 5 4 3 2 1



NOTES.
 1. APPLICABLE HOUSING : 51110-***1
 : 51110-***5

GOLD FLASH 0.05-0.125 μm	50394-8400	50394-8054
0.38 Pd/Ni w/ GOLD FLASH	50394-8300	50394-8053
0.76	50394-8200	50394-8052
0.38	50394-8100	50394-8051
Au. PLATE THICK. (μm MIN.)	FORM:LOOSE	FORM:CHAIN
ENG.No.		

B	VOID PART NO. PER ECN S2004-0719	---	ANG	040223	MATERIAL : PHOSPHOR BRONZE (THK=0.152)	MOLEX SINGAPORE PTE LTD SHEET 1 OF 1
A2	ADD GOLD FLASH AS PER ECN*S2003-0030	---	NASH	02/07/12		
A1	ADD 0.38 Pd/Ni WITH GOLD FLASH AS PER PDR*98-01- 0267 (ECN*S1998-0364)	---	SEL	980312	FINISH : SEE NOTES	GENERAL TOLERANCES : 0.20/.008 REV B
A	REL AS PER ECN*	S40519	SO	940420	DRAWN BY S.O. 940420	TITLE : 2.0mm GRID W TO B CONN. CRIMP TERMINAL
LTR	REVISION RECORD	ECN	DR CHK	DATE		
REVISE ONLY ON CAD SYSTEM					APPR'D BY ROY 940428	SCALE 15:1

THIS DRAWING CONTAINS INFORMATION THAT IS PROPRIETARY TO MOLEX (S) PTE LTD AND SHOULD NOT BE USED WITHOUT WRITTEN PERMISSION

DWG. NO. SD-50394-8051

E

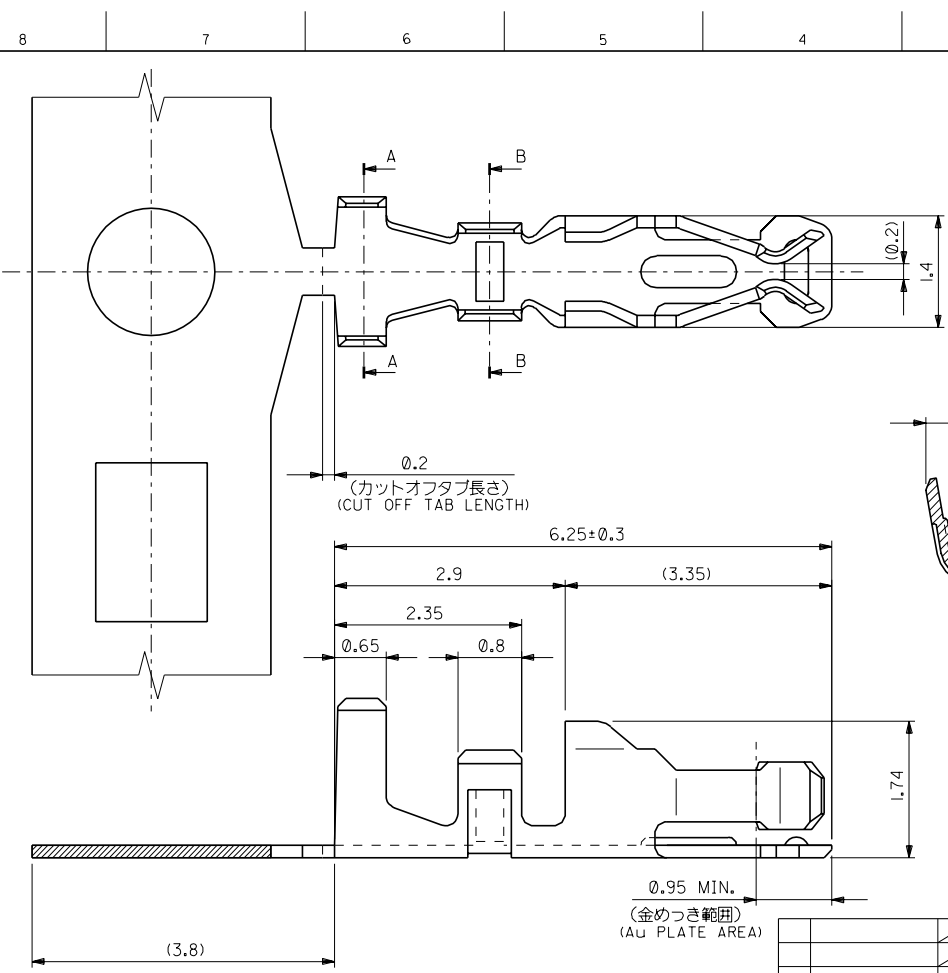
D

C

B

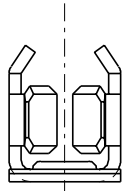
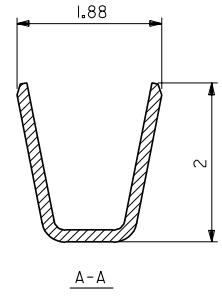
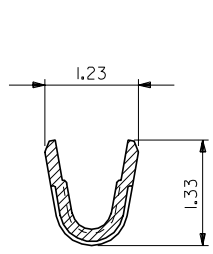
A

ALL DIMENSIONS IN METRIC DO NOT SCALE DRAWING



注)
NOTES.

1. 適合ハウジング: 51110-***1
APPLICABLE HOUSING : 51110-***1
2. めっき仕様
PLATING SPEC
ニッケル下地金めつき (0.38 μM MIN.) 仕上げ
Au (0.38 μM MIN.) OVER NI PLATE



連鎖状 CHAIN	50394-8051
端子形状 TERM. FORM	製品番号 ENG.NO.

材料 MATERIAL		磷青銅 (板厚: 0.152) PHOS.-BRON.(t=0.152)	
仕上げ FINISH 注)参照		SEE NOTES	
適用電線範囲 WIRE RANGE		#24 ~ #30	
被覆外径 INS. RANGE		Ø 1.4 MAX.	
角度 ANGLE	±3°	DR. / CHK.	DATE
30°以上 OVER	±0.3	M.Y.	93/02/03
10°以上 未過 OVER 30 UNDER	±0.25	APP'Y	93/05/08
未過 UNDER	±0.2	SCALE	20-1
一般公差 GENERAL TOLERANCES			

MOLEX-JAPAN CO.,LTD. 日本モレックス株式会社	
REVISION ONLY ON CAD SYSTEM	
TITLE 名称 2.0mm GRID W TO B CONN. CRIMP TERMINAL	
DWG. NO. SD-50394-8051	REV 0

THIS DRAWING CONTAINS INFORMATION THAT IS PROPRIETARY TO MOLEX JAPAN AND SHOULD NOT BE USED WITHOUT WRITTEN PERMISSION
本図面は日本モレックス(株)の所有する情報を含むもので 当社の許可なく複製を禁止する。
EN-01C(032)MXJ-32