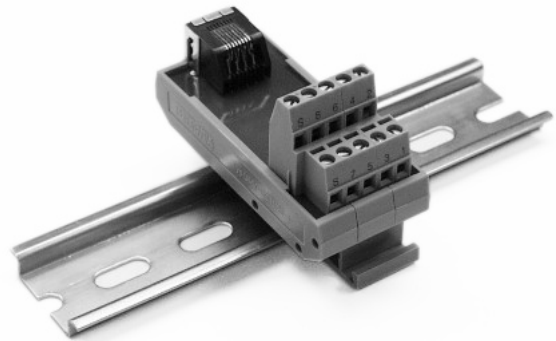


UMK-RJ...

Interface module to convert RJ11 and RJ45 cables to discrete wire connections



INTERFACE
Data Sheet
1179_en_B

© PHOENIX CONTACT - 10/2008

Description

The UMK-RJ... interface modules allow a modular jack connection to be converted to discrete wiring. The interface is accomplished through traces on the PC board. The RJ11/45 shield is fed through the module to a discrete connection. The module has a universal mounting foot for most types of mounting rail.

Each module utilizes a shielded RJ11 or RJ45 connector in either six, eight or ten positions and reliable Phoenix Contact screw clamp terminal blocks for the discrete wire connections.

The UMK-RJ... interface modules are ideal for the use of Ethernet breakouts. This module provides an easy solution to break Ethernet cabling out to discrete wiring.

Features

- Interface from RJ11/45 to discrete wire connections
- Industry standard shielded RJ11/45 connector
- Rail mounted (EN60715)
- Compact design
- Six-, eight- and ten-position connections available

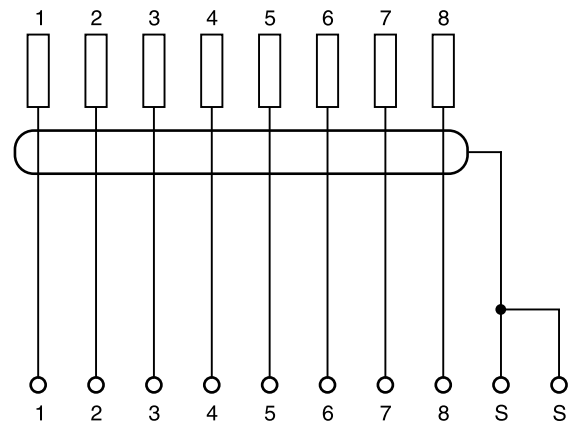


Figure 1. UMK-RJ11/8 Block Diagram.



This data sheet is valid for all products listed on the following page

Ordering Data

Products

Description	Type	Order No.	Pcs./Pkg
Interface module, 6 position	UMK-RJ11/6	5543643	1
Interface module, 8 position	UMK-RJ11/8	5543630	1
Interface module, 10 position	UMK-RJ45	5525946	1

Technical Data

General Data

Rated voltage per branch 120 V

Rated current per branch 1 A

Connection

Connector RJ11 or RJ45

Individual wires Screw-clamp

Wire size 14 AWG

Dimensions (H x W x D) 77 x 33.75 x 50 mm (3.03 x 1.33 x 1.97 in.)

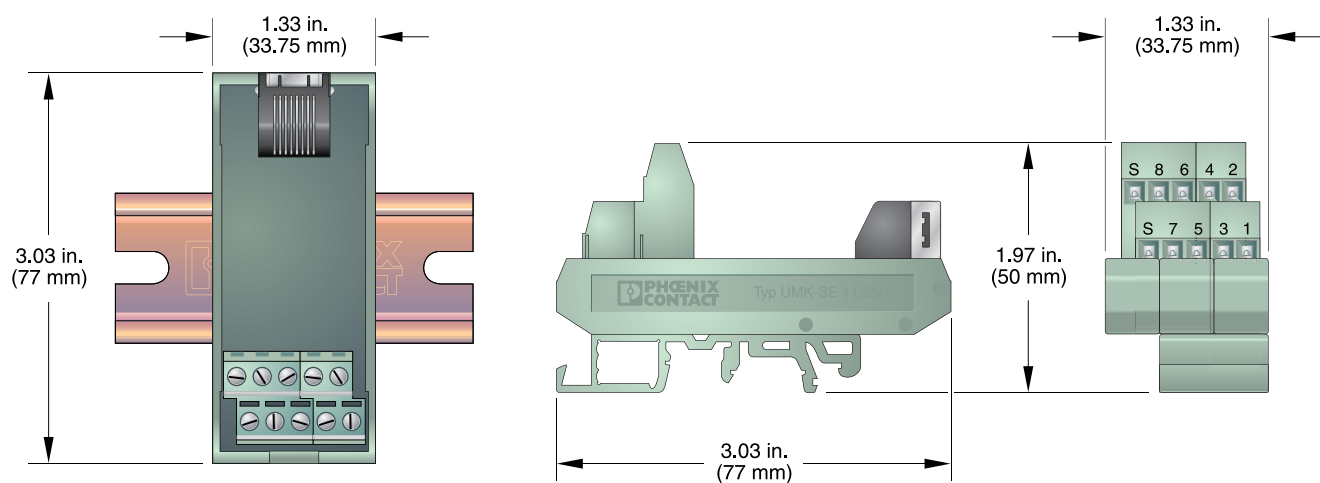


Figure 2. UMK-RJ11/8 Interface Module Dimensions