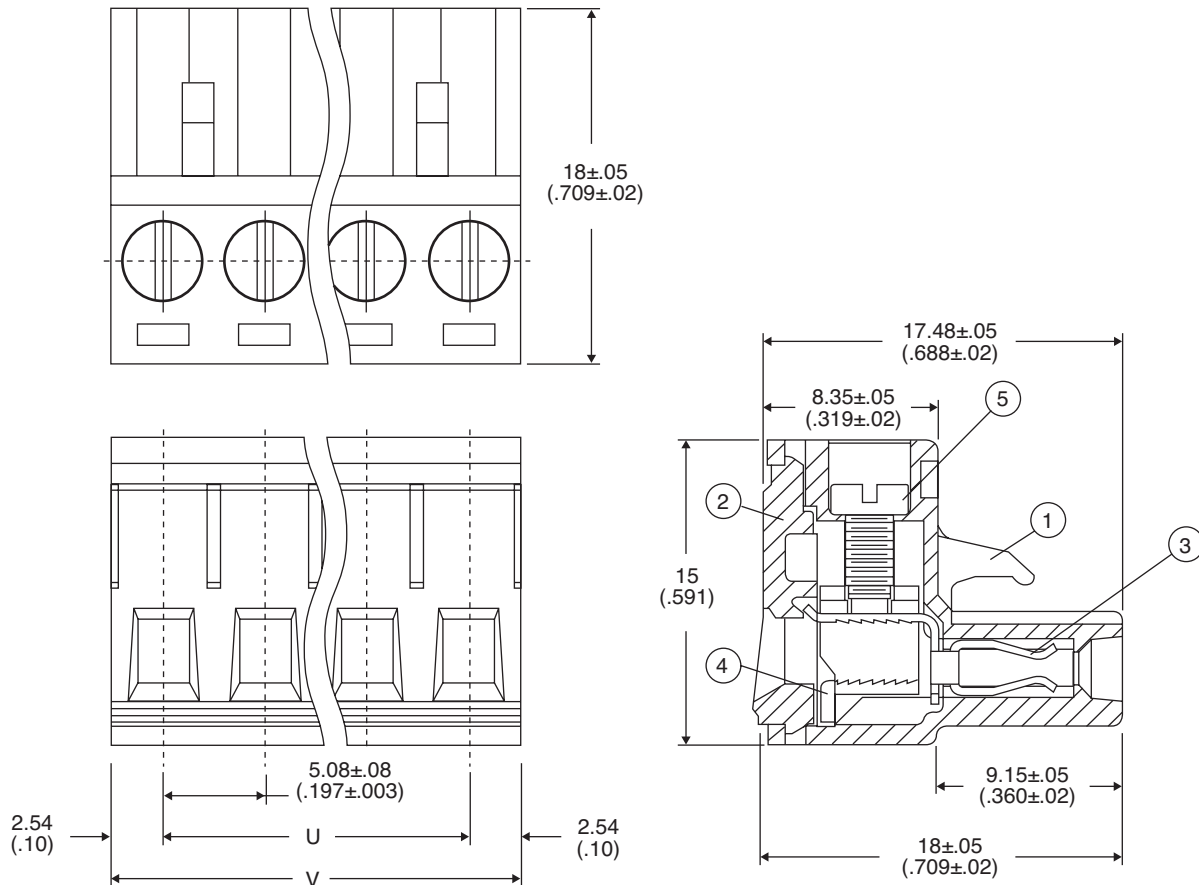


# Terminal Block Plugs

158-P022ESDVP-E, 158-P032ESDVP-E, 158-P042ESDVP-E, 158-P052ESDVP-E,  
158-P062ESDVP-E, 158-P072ESDVP-E, 158-P082ESDVP-E, 158-P092ESDVP-E,  
158-P102ESDVP-E, 158-P112ESDVP-E, 158-P122ESDVP-E



Terminal Block Plugs



Dimensions: mm (in.)

P	02P	03P	04P	05P	06P	07P	08P	09P	10P	11P	12P
U mm	5.08	10.06	15.24	20.32	25.40	30.48	35.58	40.64	45.72	50.80	55.88
V mm	10.16	15.24	20.32	25.40	30.48	35.56	40.64	45.72	50.80	55.88	60.16

ELECTRICAL SPECIFICATIONS	
<b>Rating:</b>	300V 15A
<b>Pitch:</b>	5.08 mm
<b>Insulation withstands voltage:</b>	AC 1500V/Min
<b>Insulation resistance:</b>	500MΩ or more at DC500V
<b>Temperature range:</b>	-40°C~ +105°C
<b>Screw torque value:</b>	5kg - cm
<b>Electric wire:</b>	28 ~ 12 AWG

MATERIAL SPECIFICATIONS	
<b>Screw (5):</b>	Steel, M2.5 Zinc Plated
<b>Wire cage (4):</b>	Steel, Zinc Plated
<b>Clamp (3):</b>	Phosphor Bronze, Solder Plated
<b>Cover (2):</b>	PA66, Green
<b>Housing (1):</b>	PA66, Green
RoHS Compliant	

158-P022ESDVP-E, 158-P032ESDVP-E, 158-P042ESDVP-E, 158-P052ESDVP-E,  
158-P062ESDVP-E, 158-P072ESDVP-E, 158-P082ESDVP-E, 158-P092ESDVP-E,  
158-P102ESDVP-E, 158-P112ESDVP-E, 158-P122ESDVP-E

Date Last Revised: 3-7-07

Available from Mouser Electronics  
1-800-346-6873 / www.mouser.com

KC-301124

Specifications are subject to change without notice. No liability or warranty implied by this information. Environmental compliance based on producer documentation.